



**ORIGINAL SPARE PARTS**  
**ORIGINAL SPARE PARTS**  
**ORIGINAL SPARE PARTS**  
**ORIGINAL SPARE PARTS**  
**ORIGINAL SPARE PARTS**

**863**

**CATALOGO RICAMBI  
 SPARE PARTS CATALOG  
 CATALOGUE RECHANGES  
 ERSATZTEILKATALOG**

**CLIMBER-94**

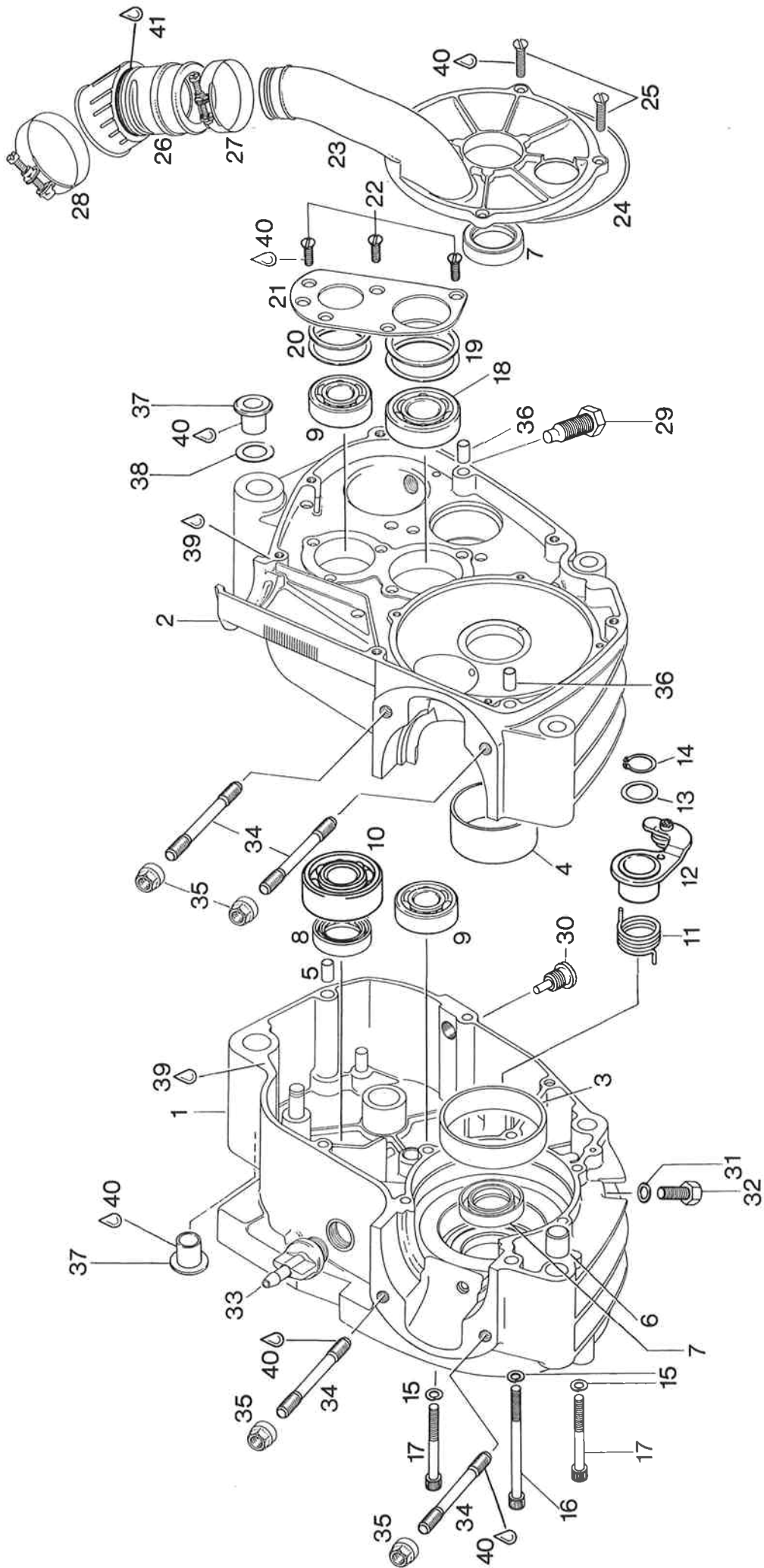
Edizione **X-93**  
 Edition  
 Ausgabe

Motore Tipo **242-282 TL**  
 Engine Type  
 Motor Type **TRIAL-94**



**INHALTSVERZEICHNIS**  
**TABLE OF CONTENTS**  
**INDICE DEI CAPITOLI**

SEITE PAGE PAGINA	KAPITEL CHAPTER CAPITOLO
3 .....	Kurbelgehäuse Crankcase Carter motore ..... 1
9 .....	Kurbelwelle, Kolben, Zylinder, Zylinderkopf; für Motor Type 242 TL Crankshaft, piston, cylinder, cylinder head; for engine type 242 TL Albero motore, pistone, cilindro, testa cilindro; per motore tipo 242 TL ..... 2
15 .....	Kurbelwelle, Kolben, Zylinder, Zylinderkopf; für Motor Type 282 TL Crankshaft, piston, cylinder, cylinder head; for engine type 282 TL Albero motore, pistone, cilindro, testa cilindro; per motore tipo 282 TL ..... 3
21 .....	6-Gang Getriebe 6-speed transmission Trasmissione 6 marce ..... 4
27 .....	Kupplung Clutch Frizione ..... 5
31 .....	Kupplungsdeckel, Wasserpumpe Clutch cover, water pump Coperchio frizione ..... 6
35 .....	Magnetzündler-Generator 12V 60/40/20W Magneto generator 12V 60/40/20W Accensione 12V 60/40/20W ..... 7
39 .....	Reparaturwerkzeuge, Dichtungssatz repair tools, gasket set Attrezzi riparazione, serie guarnizione ..... 8



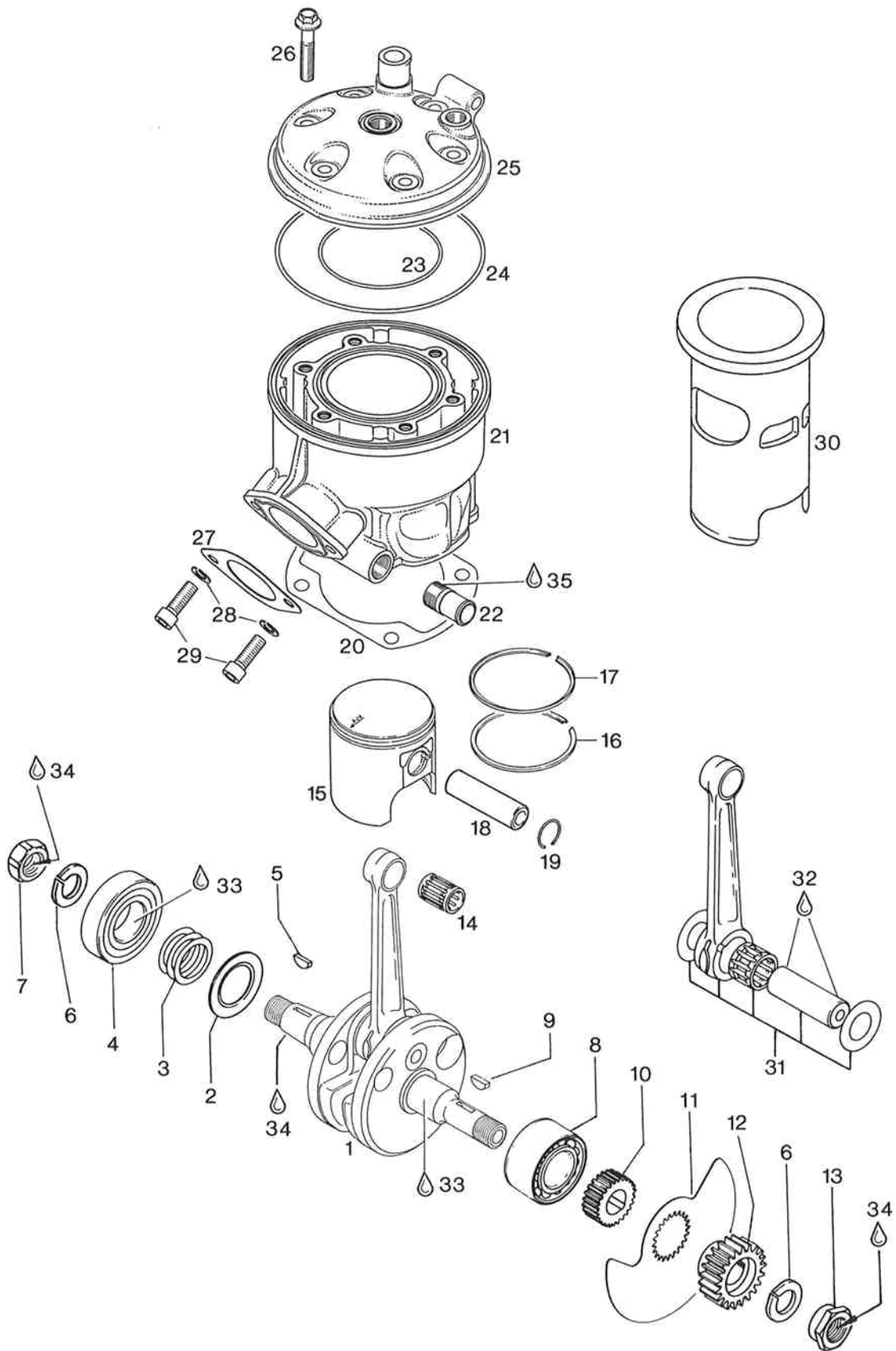
GEHAEUSE, DREHSCHIEBERDECKEL  
 CRANKCASE, DISK VALVE COVER  
 CARTER MOTORE, COPERCHIO VALVOLA

BILD-NR. ILL. NO. FIG.	TEILE-NR. PART NO. CODICE	B E Z E I C H N U N G D E S C R I P T I O N D E S C R I Z I O N E	STUECK QTY. QTA.
1 - 6	294 208	GEHAEUSE KPL. / CRANKCASE ASSY., CARTER MOTORE CPL.,..... GRAU-METALLIC GRAY-METALLIC GRIGIO METALLIZZATO	1
3	960 765	GEHAEUSERING / CRANKCASE RING ANELLO TEFLON..... MAGNETSEITIG MAGNETO SIDE LATO MAGNETO	1
4	260 400	GEHAEUSERING KS / CRANKCASE RING ANELLO TEFLON..... KUPPLUNGSSEITIG CLUTCH SIDE LATO FRIZIONE	1
5	229 140	PASSHUELSE 9,8X10 / DOWEL 9,8X10 SPINA 9,8X10.....	1
6	229 160	PASSHUELSE 13,8X15 / DOWEL 13,8X15 SPINA 13,8X15.....	1
7	230 425	WD-RING AS 28X38X7 NBR / OIL SEAL 28X38X7 PARAOLIO 28X38X7.....	2
8	930 675	WD-RING AS 25X38X7 NBR / OIL SEAL 25X38X7 PARAOLIO 25X38X7..... FUER HAUPTWELLE FOR MAIN SHAFT PER ALBERO SECONDARIO	1
9	932 032	RK-LAGER 6203 TVH C3 B. BEARING 6203 TVH C3, 17-40-12 CUSCINETTO 6203 TVH C3, 17-40-12..... 17-40-12	2
10	932 420	RK-LAGER 6205 C3 BALL BEARING 6205 C3, 25-52-15 CUSCINETTO 6205 C3, 25-52-15..... FUER HAUPTWELLE, ABTRIEBSEITIG, 25-52-15 FOR MAIN SHAFT, P.T.O. SIDE PER ALBERO SECONDARIO, LATO VOLANO	1
11	239 755	INDEXFEDER / INDEX SPRING / MOLLA.....	1
12	248 977	ROLLENINDEX KPL. / INDEX LEVER ASSY., LEVA INDEX CPL.,.....	1

BILD-NR. ILL. NO. FIG.	TEILE-NR. PART NO. CODICE	B E Z E I C H N U N G D E S C R I P T I O N D E S C R I Z I O N E	STUECK QTY. QTA.
13	227 300	AUSGLEICHSCHEIBE 16,2/21/0,4 SHIM 16,2/21/0,4 / SPESSORE 16,2/21/0,4..	1
14	945 840	SICHERUNGSRING 15X1 DIN 471 LOCKING RING 15X1 / SEEGER 15X1.....	1
15	945 751	FEDERRING DIN 128-A6-FST / LOCK WASHER A6 RONDELLA SPACCATA A6.....	10
16	241 871	ZYL.SCHRAUBE M6X70 DIN 912 ALLEN SCREW M6X70 / BRUGOLA M6X70.....	5
17	241 320	ZYL.SCHRAUBE M6X45 DIN 912 ALLEN SCREW M6X45 / BRUGOLA M6X45.....	5
18	932 430	RK-LAGER 6204 TNH C3 BALL BEARING 6204 TNH, 20-47-14 CUSCINETTO 6204 TNH, 20-47-14.....	1
		20-47-14, FUER VORGELEGEWELLE, KUPPLUNGSSEITIG FOR CLUTCH SHAFT, CLUTCH SIDE PER ALBERO PRIMARIO, LATO FRIZIONE	
19	227 610	AUSGLEICHSCHEIBE 40/46,5/0,5 SHIM 40/46,5/0,5 SPESSORE 40/46,5/0,5.....	N BED AS REQ A RICH
		FUER VORGELEGEWELLE FOR CLUTCH SHAFT PER ALBERO PRIMARIO	
19	227 611	AUSGLEICHSCHEIBE 40/46,5/0,3 SHIM 40/46,5/0,3 SPESSORE 40/46,5/0,3.....	N BED AS REQ A RICH
		FUER VORGELEGEWELLE FOR CLUTCH SHAFT PER ALBERO PRIMARIO	
19	227 612	AUSGLEICHSCHEIBE 40/46,5/0,1 SHIM 40/46,5/0,1 SPESSORE 40/46,5/0,1.....	N BED AS REQ A RICH
		FUER VORGELEGEWELLE FOR CLUTCH SHAFT PER ALBERO PRIMARIO	
20	227 520	AUSGLEICHSCHEIBE 34/39,5/0,5 SHIM 34/39,5/0,5 SPESSORE 34/39,5/0,5.....	N BED AS REQ A RICH
		FUER HAUPTWELLE FOR MAIN SHAFT PER ALBERO SECONDARIO	

BILD-NR. ILL. NO. FIG.	TEILE-NR. PART NO. CODICE	B E Z E I C H N U N G D E S C R I P T I O N D E S C R I Z I O N E	STUECK QTY. QTA.
20	227 521	AUSGLEICHSCHLEIBE 34/39,5/0,3 SHIM 34/39,5/0,3 SPESSORE 34/39,5/0,3..... FUER HAUPTWELLE FOR MAIN SHAFT PER ALBERO SECONDARIO	N BED AS REQ A RICH
20	227 522	AUSGLEICHSCHLEIBE 34/39,5/0,1 SHIM 34/39,5/0,1 SPESSORE 34/39,5/0,1..... FUER HAUPTWELLE FOR MAIN SHAFT PER ALBERO SECONDARIO	N BED AS REQ A RICH
21	227 110	HALTEBLECH / RETAINING PLATE PIASTRA FISSAGGIO CUSCINETTI.....	1
22	940 315	SENKSCHRAUBE M5X12 DIN 963 COUNTERSUNK SCREW M5X12 / VITE M5X12..... ANZUGSDREHMOMENT 5 NM TIGHTENING TORQUE 5 NM (45 IN.LB.) COPPIA DI SERRAGGIO 5 NM	5
23	212 353	DREHSCHIEBERDECKEL / DISK VALVE COVER COPERCHIO VALVOLA ROTANTE.....	1
24	230 310	O-RING DIN 3771-114X2-N / O-RING 114-2 ANELLO OR 114-2.....	1
25	N 940 511	SENKSCHRAUBE M5X16 DIN 963 COUNTERSUNK SCREW M5X16 / VITE M5X16.....	4
26	267 972	VERGASERWINKELROHR CARBURETOR ANGULAR TUBE MANICOTTO ANGOLARE CARBURATORE..... POSITION 10,0 POSITION 10,0 POSIZIONE 10,0	1
27	251 845	SCHLAUCHSCHELLE 42 / HOSE CLAMP 42 FASCETTA 42.....	1
28	251 820	SCHLAUCHSCHELLE 47 / HOSE CLAMP 47 FASCETTA 47.....	1
29	241 777	AUSRUECKSCHRAUBE M12 / HEX. SCREW M12 VITE M12..... ANZUGSDREHMOMENT 75 NM TIGHTENING TORQUE 75 NM (665 IN.LB.) COPPIA DI SERRAGGIO 75 NM	1
30	N 241 782	MAGNETSCHRAUBE M12X1,5 MAGNETIC DRAIN PLUG M12X1,5 VITE MAGNETICA M12X1,5.....	1

BILD-NR. ILL. NO. FIG.	TEILE-NR. PART NO. CODICE	B E Z E I C H N U N G D E S C R I P T I O N D E S C R I Z I O N E	STUECK QTY. QTA.
31	950 141	DICHTRING A 8X13 DIN 7603 GASKET RING A 8X13 ANELLO GUARNIZIONE A 8X13.....	1
32	940 581	SK-SCHRAUBE M8X16 DIN 933 HEX. SCREW M8X16 / VITE ESAGONALE M8X16..	1
33	241 925	ENTLUEFTERSCHRAUBE M18X1,5 AIR VENT SCREW M18X1,5 TAPPO SFIATO M18X1,5.....	1
34	841 350	STIFTSCHRAUBE M8X90 / STUD M8X90 PRIGIONIERO M8X90..... ANZUGSDREHMOMENT 8 NM TIGHTENING TORQUE 8 NM (70 IN.LB.) COPPIA DI SERRAGGIO 8 NM	4
35	242 586	BUNDMUTTER M8 / COLLAR NUT M8 DADO ESAGONALE M8..... ANZUGSDREHMOMENT 22 NM TIGHTENING TORQUE 22 NM (195 IN.LB.) COPPIA DI SERRAGGIO 22 NM	4
36	949 900	PASSHUELSE 8,4X10 / DOWEL 8,4X10 SPINA 8,4X10.....	2
37	247 320	BUNDBUECHSE / SLEEVE / BUSSOLA.....	2
38	246 150	AUSGLEICHSCHEIBE 16,3/25,8/0,3 SHIM 16,3/25,8/0,3 SPESSORE 16,3/25,8/0,3.....	N BED AS REQ A RICH
38	246 151	AUSGLEICHSCHEIBE 16,3/25,8/0,5 SHIM 16,3/25,8/0,5 SPESSORE 16,3/25,8/0,5.....	N BED AS REQ A RICH
39	899 784	LOCTITE 574 ORANGE LOCTITE 574 ORANGE 50 CC., LOCTITE 574 ARANCIO 50 CC.,..... FLAECHENDICHTUNGSMITTEL, 50 CCM SEALING COMPOUND PASTA GUARNIZIONE	N BED AS REQ A RICH
40	899 785	SCHRAUBENSICHERUNG NIEDRIGFEST LOCTITE 221 VIOLET 10 CC., LOCTITE 221 VIOLETT, 10 CC.,..... LOCTITE 221 VIOLETT, 10 CCM., LOW STRENGTH BOND PASTA DI FISSAGGIO, DEBOTE	N BED AS REQ A RICH
41	297 386	SILASTIC 732 RTV SILASTIC 732 RTV, 100 GR., SILASTIC 732 RTV, 100 GR.,.....	N BED AS REQ A RICH



KURBELWELLE, KOLBEN, ZYLINDER, ZYLINDERKOPF  
 CRANKSHAFT, PISTON, CYLINDER, CYLINDER HEAD  
 ALBERO MOTORE, PISTONE, CILINDRO, TESTA CILINDRO

F U E R M O T O R T Y P E 2 4 2 T L  
 F O R E N G I N E T Y P E 2 4 2 T L  
 P E R M O T O R E T I P O 2 4 2 T L

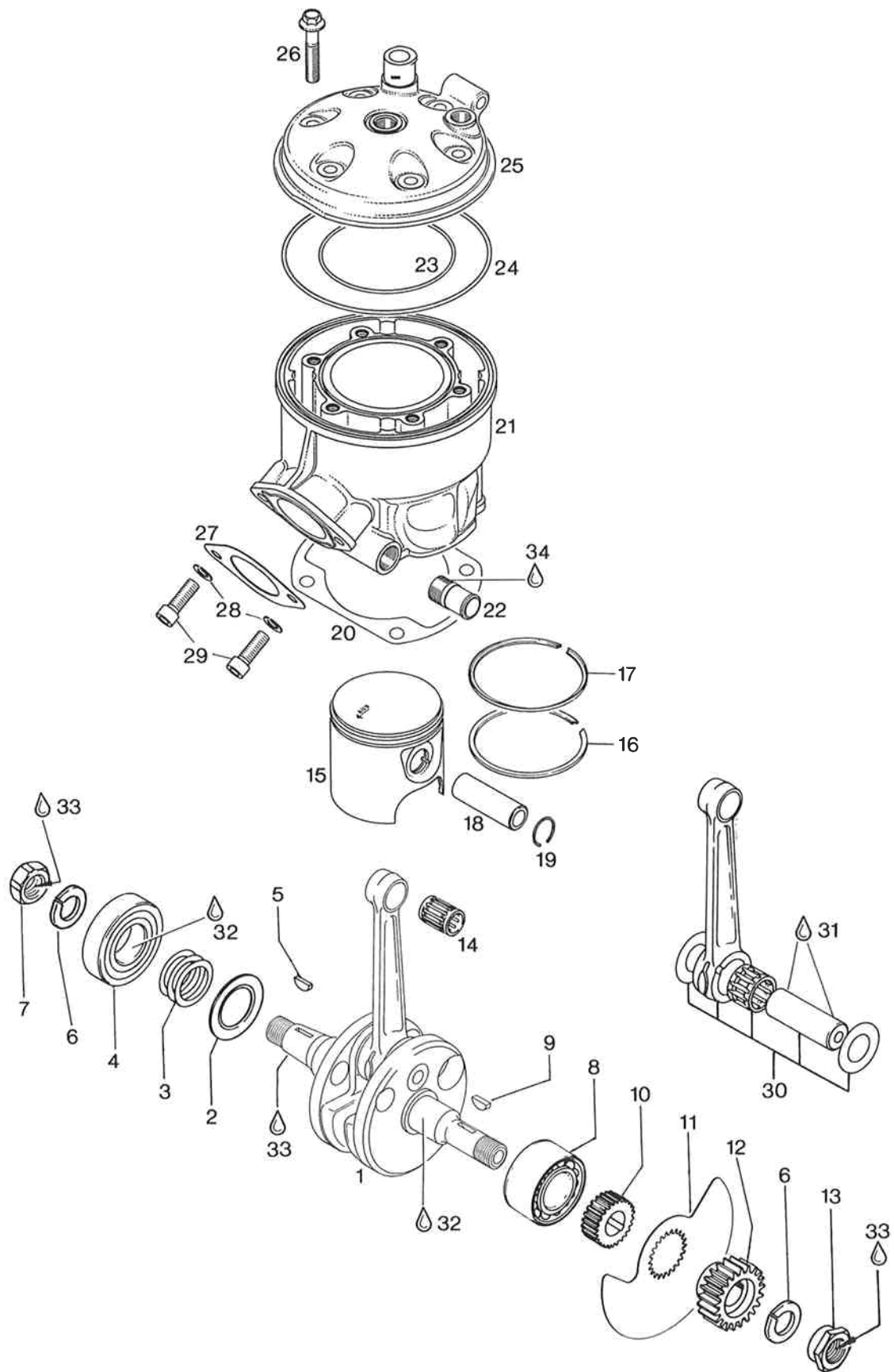
BILD-NR. ILL. NO. FIG.	TEILE-NR. PART NO. CODICE	B E Z E I C H N U N G D E S C R I P T I O N D E S C R I Z I O N E	STUECK QTY. QTA.
1	292 029	KURBELWELLE KPL. / CRANKSHAFT ASSY. ALBERO MOTORE CPL.,..... HUB 61 MM STROKE 61 MM (2,4 IN.) CORSA 61 MM	1
2	227 755	RADIUSSCHEIBE 30,9/50/0,75 DISTANCE RING 30,9/50/0,75 ANELLO SPESSORE 30,9/50/0,75..... MAGNETSEITIG MAGNETO SIDE LATO MAGNETE	1
3	944 582	AUSGLEICHSCHIEBE 30,4/40,5/0,3 SHIM 30,4/40,5/0,3 SPESSORE 30,4/40,5/0,3..... MAGNETSEITIG MAGNETO SIDE LATO MAGNETE	N BED AS REQ A RICH
3	944 583	AUSGLEICHSCHIEBE 30,4/40,5/0,1 SHIM 30,4/40,5/0,1 SPESSORE 30,4/40,5/0,1..... MAGNETSEITIG MAGNETO SIDE LATO MAGNETE	N BED AS REQ A RICH
3	944 586	AUSGLEICHSCHIEBE 30,4/40,5/0,2 SHIM 30,4/40,5/0,2 SPESSORE 30,4/40,5/0,2..... MAGNETSEITIG MAGNETO SIDE LATO MAGNETE	N BED AS REQ A RICH
4	932 581	RK-LAGER 6206 TNH C3 BALL BEARING 6206TNH C3,30-62-16 CUSCINETTO 6206 TNH C3, 30-62-16..... MAGNETSEITIG, 30-62-16 MAGNETO SIDE LATO MAGNETE	1
5	246 015	SCHEIBENFEDER 3X5 DIN 6888 WOODRUFF KEY 3X5 / LINGUETTA 3X5..... MAGNETSEITIG MAGNETO SIDE LATO MAGNETE	1

BILD-NR. ILL. NO. FIG.	TEILE-NR. PART NO. CODICE	B E Z E I C H N U N G D E S C R I P T I O N D E S C R I Z I O N E	STUECK QTY. QTA.
6	945 757	SPERRKANTRING 18 DIN 128 A LOCK WASHER 18 / RONDELLA SPACCATA 18.....	2
7	942 225	SK-MUTTER M18X1,5 / HEX. NUT M18X1,5 DADO M18X1,5..... MAGNETSEITIG, ANZUGSDREHMOMENT 100 NM MAGNETO SIDE, TIGHTENING TORQUE 100 NM(835 IN.LB.) LATO MAGNETE, COPPIA DI SERRAGGIO 100 NM	1
8	232 750	SCHRAEGKUGELLAGER 3205 C3 BALL BEARING 3205 C3/ 25-52-20,6 CUSCINETTO 3205 C3 / 25-52-20,6..... KUPPLUNGSSEITIG, 25-52-20,6 CLUTCH SIDE LATO FRIZIONE	1
9	246 570	SCHEIBENFEDER 4X5 DIN 6888 WOODRUFF KEY 4X5 / LINGUETTA 4X5..... KUPPLUNGSSEITIG CLUTCH SIDE LATO FRIZIONE	1
10	247 290	DREHSCHIEBERHUELSE / DISK VALVE SPACER MOZZO VALVOLA.....	1
11	N 224 109	DREHSCHIEBER / ROTARY VALVE VALVOLA ROTANTE.....	1
12	292 134	PRIMAERTRIEB KPL. DRIVE GEAR W. CLUTCH DRUM ASSY., TRASMISSIONE PRIMARIA CPL.,..... NUR ANTRIEBSRAD UND KUPPLUNGSKORB KPL. GEMEINSAM AUSTAUSCHEN REPLACE ONLY DRIVE GEAR WITH CLUTCH DRUM ASSY. CAMBIARE SOLO L'INGRANAGGIO E LA CAMPANA FRIZIONE INSIEME	1
13	242 615	BUNDMUTTER M18X1,5 / HEX.NUT M18X1,5 DADO ESAGONALE M18X1,5..... ANZUGSDREHMOMENT 80 NM TIGHTENING TORQUE 80 NM (710 IN.LB.) COPPIA DI SERRAGGIO 80 NM	1
14	932 904	KOLBENBOLZENKAEFIG K 18X22X22 NEEDLE CAGE 18X22X22 GABBIA A RULLI 18X22X22.....	1

BILD-NR. ILL. NO. FIG.	TEILE-NR. PART NO. CODICE	B E Z E I C H N U N G D E S C R I P T I O N D E S C R I Z I O N E	STUECK QTY. QTA.
15 - 17	294 820	KOLSEN KPL. 70,46/70,47 MM PISTON ASSY. 70,46/70,47 MM PISTONE CPL. 70,46/70,47 MM.....	1
		MIT RINGEN, STANDARD ROT 70,46 MM STANDARD GRUEN 70,47 MM WITH RINGS, STANDARD RED 70,46 MM STANDARD GREEN 70,47 MM CON SEGMENTI, STANDARD ROSSO 70,46 MM STANDARD VERDE 70,47 MM	
15 - 17	294 821	KOLBEN KPL. 70,71/70,72 MM PISTON ASSY., 70,71/70,72 MM PISTONE CPL., 70,71/70,72 MM.....	1
		MIT RINGEN, 1. SCHLIFF ROT 70,71 MM 1. SCHLIFF GRUEN 70,72 MM WITH RINGS, 1ST OVERSIZE RED 70,71 MM 1ST OVERSIZE GREEN 70,72 MM CON SEGMENTI, 1A MAGGIORAZIONE ROSSO 70,71 MM 1A MAGGIORAZIONE VERDE 70,72 MM	
16	215 360	R-RING IS2-70,5/64,6X1,5 RECTANGULAR RING 70,5 MM SEGMENTO R 70,5 MM.....	1
		STANDARD STANDARD STANDARD	
16	215 366	R-RING IS2-70,75/64,85X1,5 RECTANGULAR RING 70,75 MM SEGMENTO R 70,75 MM.....	1
		1. SCHLIFF 1ST OVERSIZE 1A MAGGIORAZIONE	
17	215 340	ETL-RING IS2-70,5/64,3X2 SEMI-TRAPEZ RING 70,5 MM SEGMENTO SEMI-TRAPEZ 70,5 MM.....	1
		STANDARD STANDARD STANDARD	
17	215 341	ETL-RING IS2-70,75/64,55X2 SEMI-TRAPEZ RING 70,75 MM SEGMENTO SEMI-TRAPEZ 70,75 MM.....	1
		1. SCHLIFF 1ST OVERSIZE 1A MAGGIORAZIONE	
18	916 185	KOLBENBOLZEN 18X11X58,7 PISTON PIN 18X11X58,7 SPINOTTO 18X11X58,7.....	1

BILD-NR. ILL. NO. FIG.	TEILE-NR. PART NO. CODICE	B E Z E I C H N U N G D E S C R I P T I O N D E S C R I Z I O N E	STUECK QTY. QTA.
19	945 735	NULLHAKENRING 18 / CIRCLIP 18 SEGER SPINOTTO 18..... NUR 1 X VERWENDBAR USE ONLY ONCE UTILIZZARE SOLO UNA VOLTA	2
20	230 552	DICHTUNG / GASKET / GUARNIZIONE.....	1
21	223 592	ZYLINDER MIT BUECHSE CYLINDER WITH SLEEVE CILINDRO CON CAMICIA..... ALUFARBIG, STANDARD ROT 70,50 - 70,51 MM, STANDARD GRUEN 70,51 - 70,52 MM, ALUMINIUM PAINTED, STANDARD RED 70,50 - 70,51 MM, STANDARD GREEN 70,51 - 70,52 MM, COLORE ALLUMINIO, STANDARD ROSSO 70,50 - 70,51 MM, STANDARD VERDE 70,51 - 70,52 MM,	1
22	224 090	ABLAUFROHR / TUBE / TUBO.....	1
23	831 790	O-RING DIN 3771-78X2-N / O-RING 78X2 ANELLO OR 78X2.....	1
24	831 765	O-RING DIN 3771-135X2,5-N O-RING 135-2,5 / ANELLO OR 135-2,5.....	1
25	223 559	ZYLINDERKOPF / CYLINDER HEAD TESTA CILINDRO..... ALUFARBIG ALUMINIUM PAINTED COLORE ALLUMINIO	1
26	940 636	SK-BUNDSCHRAUBE M8X45 SW 11 COLLAR-HEX. SCREW M8X45 SW 11 VITE A COLLETTA M8X45 SW 11..... ANZUGSDREHMOMENT 22 NM (195 IN.LB.) TIGHTENING TORQUE 22 NM (195 IN.LB.) COPPIA DI SERRAGGIO 22 NM (195 IN.LB.)	6
27	N 330 271	DICHTUNG / GASKET / GUARNIZIONE.....	1
28	945 752	FEDERRING DIN 128-A8-FST / LOCK WASHER A8 RONDELLA SPACCATA A8.....	2
29	240 081	ZYL.SCHRAUBE M8X25 DIN 912 ALLEN SCREW M8X25 / BRUGOLA M8X25..... ANZUGSDREHMOMENT 25 NM TIGHTENING TORQUE 25 NM (220 IN.LB.) COPPIA DI SERRAGGIO 25 NM	2
30	213 487	ZYLINDERBUECHSE / CYLINDER SLEEVE CAMICIA CILINDRO.....	1
31	295 080	KURBELWELLENSATZ / CRANKSHAFT REPAIR KIT GRUPPO BIELLA CPL.,.....	1

BILD-NR. ILL. NO. FIG.	TEILE-NR. PART NO. CODICE	B E Z E I C H N U N G D E S C R I P T I O N D E S C R I Z I O N E	STUECK QTY. QTA.
32	897 341	LOCTITE 14486 LOCTITE 14486, 10 CC., LOCTITE 14486, 10 CC.,..... FUER KURBELWELLENPRESSVERBAND FOR CRANKSHAFT PRESS FIT PER ACCOPPIAMENTO ALBERO MOTORE PRESSATO	N BED AS REQ A RICH
33	297 431	LOCTITE ANTI-SEIZE 76710 LOCTITE ANTI-SEIZE 10 GR., LOCTITE ANTI-SEIZE 10 GR.,..... ZUR VERHINDERUNG VON PASSUNGSROST, 10 GR. TO PREVENT METAL GALLING PER EVITARE CORROSIONE	N BED AS REQ A RICH
34	899 738	LOCTITE 648 GRUEN LOCTITE 648 GREEN, 5 GR., LOCTITE 648 VERDE, 5 GR.,..... SCHRAUBENSICHERUNG STARK, 5 GR., HIGH STRENGTH BOND PASTA FISSAGGIO VITI, FORTE	N BED AS REQ A RICH
35	899 785	SCHRAUBENSICHERUNG NIEDRIGFEST LOCTITE 221 VIOLET 10 CC., LOCTITE 221 VIOLETTO, 10 CC.,..... LOCTITE 221 VIOLETT, 10 CCM., MEANS OF SECURING WEAK LOW STRENGTH BOND	N BED AS REQ A RICH



KURBELWELLE, KOLBEN, ZYLINDER, ZYLINDERKOPF  
 CRANKSHAFT, PISTON, CYLINDER, CYLINDER HEAD  
 ALBERO MOTORE, PISTONE, CILINDRO, TESTA CILINDRO

F U E R M O T O R T Y P E 2 8 2 T L  
 F O R E N G I N E T Y P E 2 8 2 T L  
 P E R M O T O R E T I P O 2 8 2 T L

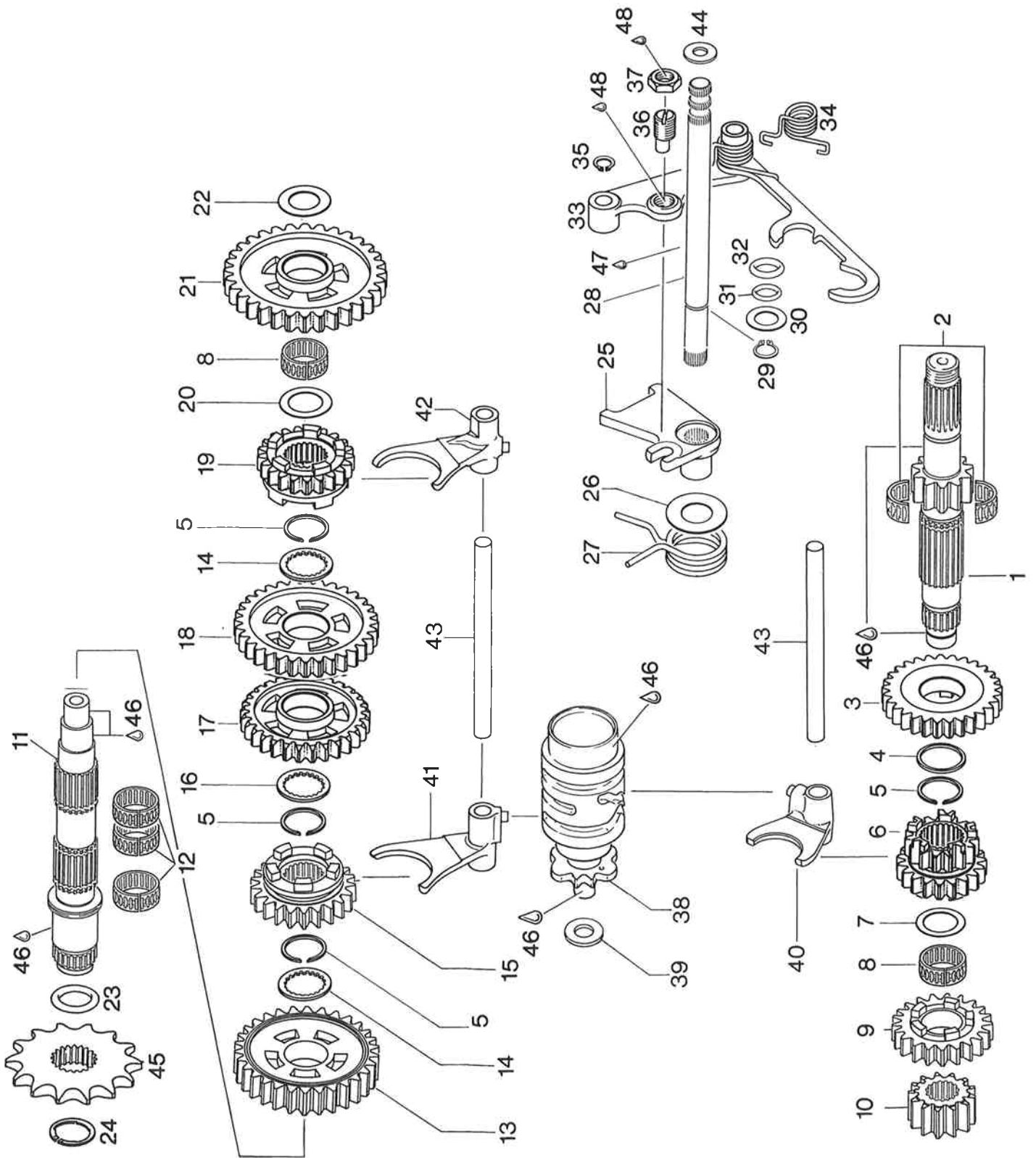
BILD-NR. ILL. NO. FIG.	TEILE-NR. PART NO. CODICE	B E Z E I C H N U N G D E S C R I P T I O N D E S C R I Z I O N E	STUECK QTY. QTA.
1	292 029	KURBELWELLE KPL. / CRANKSHAFT ASSY. ALBERO MOTORE CPL.,..... HUB 61 MM (2,4 IN.) STROKE 61 MM (2,4 IN.) CORSA 61 MM (2,4 IN.)	1
2	227 755	RADIUSSCHEIBE 30,9/50/0,75 DISTANCE RING 30,9/50/0,75 ANELLO SPESSORE 30,9/50/0,75..... MAGNETSEITIG MAGNETO SIDE LATO MAGNETE	1
3	944 582	AUSGLEICHSCHIEBE 30,4/40,5/0,3 SHIM 30,4/40,5/0,3 SPESSORE 30,4/40,5/0,3..... MAGNETSEITIG MAGNETO SIDE LATO MAGNETE	N BED AS REQ A RICH
3	944 583	AUSGLEICHSCHIEBE 30,4/40,5/0,1 SHIM 30,4/40,5/0,1 SPESSORE 30,4/40,5/0,1..... MAGNETSEITIG MAGNETO SIDE LATO MAGNETE	N BED AS REQ A RICH
3	944 586	AUSGLEICHSCHIEBE 30,4/40,5/0,2 SHIM 30,4/40,5/0,2 SPESSORE 30,4/40,5/0,2..... MAGNETSEITIG MAGNETO SIDE LATO MAGNETE	N BED AS REQ A RICH
4	932 581	RK-LAGER 6206 TNH C3 BALL BEARING 6206TNH C3,30-62-16 CUSCINETTO 6206 TNH C3, 30-62-16..... MAGNETSEITIG, 30-62-16 MAGNETO SIDE LATO MAGNETE	1
5	246 015	SCHEIBENFEDER 3X5 DIN 6888 WOODRUFF KEY 3X5 / LINGUETTA 3X5..... MAGNETSEITIG MAGNETO SIDE LATO MAGNETE	1

BILD-NR. ILL. NO. FIG.	TEILE-NR. PART NO. CODICE	B E Z E I C H N U N G D E S C R I P T I O N D E S C R I Z I O N E	STUECK QTY. QTA.
6	945 757	SPERRKANTRING 18 DIN 128 A LOCK WASHER 18 / RONDELLA SPACCATA 18.....	2
7	942 225	SK-MUTTER M18X1,5 / HEX. NUT M18X1,5 DADO M18X1,5..... MAGNETSEITIG, ANZUGSDREHMOMENT 100 NM MAGNETO SIDE, TIGHTENING TORQUE 100 NM(835 IN.LB.) LATO MAGNETE, COPPIA DI SERRAGGIO 100 NM	1
8	232 750	SCHRAEGKUGELLAGER 3205 C3 BALL BEARING 3205 C3/ 25-52-20,6 CUSCINETTO 3205 C3 / 25-52-20,6..... KUPPLUNGSSEITIG, 25-52-20,6 CLUTCH SIDE LATO FRIZIONE	1
9	246 570	SCHEIBENFEDER 4X5 DIN 6888 WOODRUFF KEY 4X5 / LINGUETTA 4X5..... KUPPLUNGSSEITIG CLUTCH SIDE LATO FRIZIONE	1
10	247 290	DREHSCHIEBERHUELSE / DISK VALVE SPACER MOZZO VALVOLA.....	1
11	N 224 109	DREHSCHIEBER / ROTARY VALVE VALVOLA ROTANTE.....	1
12	292 134	PRIMAERTRIEB KPL. DRIVE GEAR W. CLUTCH DRUM ASSY., TRASMISSIONE PRIMARIA CPL.,..... NUR ANTRIEBSRAD MIT KUPPLUNGSKORB KPL. GEMEINSAM AUSTAUSCHEN REPLACE ONLY DRIVE GEAR WITH CLUTCH DRUM ASSY. CAMBIARE SOLO L'INGRANAGGIO E LA CAMPANA FRIZIONE INSIEME	1
13	242 615	BUNDMUTTER M18X1,5 / HEX.NUT M18X1,5 DADO ESAGONALE M18X1,5..... ANZUGSDREHMOMENT 80 NM TIGHTENING TORQUE 80 NM (710 IN.LB.) COPPIA DI SERRAGGIO 80 NM	1
14	932 904	KOLBENBOLZENKAEFIG K 18X22X22 NEEDLE CAGE 18X22X22 GABBIA A RULLI 18X22X22.....	1
15 - 17	293 905	KOLBEN KPL. 75,99/76,0 MM PISTON ASSY. 75,99/76,00 MM PISTONE CPL. 75,99/76,00 MM..... MIT 2 RINGEN, STANDARD WITH 2 RINGS, STANDARD CON 2 SEGMENTI, STANDARD	1

BILD-NR. ILL. NO. FIG.	TEILE-NR. PART NO. CODICE	B E Z E I C H N U N G D E S C R I P T I O N D E S C R I Z I O N E	STUECK QTY. QTA.
16	915 215	R-RING IS 2-76/69,7X2 RECTANGULAR RING 76 MM / SEGMENTO R 76 MM STANDARD STANDARD STANDARD	1
17	915 820	ETL-RING IS 2-76/69,4X2 SEMI-TRAPEZ RING 76,0 MM SEGMENTO SEMI-TRAPEZ. 76,0 MM..... STANDARD STANDARD STANDARD	1
18	916 135	KOLBENBULZEN 18X12X53,7 PISTON PIN 18X12X53,7 SPINOTTO 18X12X53,7.....	1
19	945 735	NULLHAKENRING 18 / CIRCLIP 18 SEGER SPINOTTO 18..... NUR 1 X VERWENDBAR USE ONLY ONCE UTIZARE SOLO UNA VOLTA	2
20	230 552	DICHTUNG / GASKET / GUARNIZIONE.....	1
21	223 542	ZYLINDER / CYLINDER / CILINDRO..... ALUFARBIG, STANDARD ROT 76,00 - 76,01 MM STANDARD GRUEN 76,01 - 76,02 MM ALUMINIUM PAINTED, STANDARD RED 76,00 - 76,01 MM STANDARD GREEN 76,01 - 76,02 MM COLORE ALLUMINIO, STANDARD ROSSO 76,00 - 76,01 MM STANDARD VERDE 76,01 - 76,02 MM	1
22	224 090	ABLAUFROHR / TUBE / TUBO.....	1
23	250 510	O-RING DIN 3771-87X2-N / O-RING 87X2 ANELLO OR 87X2.....	1
24	831 765	O-RING DIN 3771-135X2,5-N O-RING 135-2,5 / ANELLO OR 135-2,5.....	1
25	223 552	ZYLINDERKOPF / CYLINDER HEAD TESTA CILINDRO..... ALUFARBIG ALUMINIUM PAINTED COLORE ALLUMINIO	1
26	940 636	SK-BUNDSCHRAUBE M8X45 SW 11 COLLAR-HEX. SCREW M8X45 SW 11 VITE A COLLETTA M8X45 SW 11..... ANZUGSDREHMOMENT 22 NM (195 IN.LB.) TIGHTENING TORQUE 22 NM (195 IN.LB.) COPPIA DI SERRAGGIO 22 NM (195 IN.LB.)	6
27	N 830 271	DICHTUNG / GASKET / GUARNIZIONE.....	1

BILD-NR. ILL. NO. FIG.	TEILE-NR. PART NO. CODICE	B E Z E I C H N U N G D E S C R I P T I O N D E S C R I Z I O N E	STUECK QTY. QTA.
28	945 752	FEDERRING DIN 128-A8-FST / LOCK WASHER A8 RONDELLA SPACCATA A8.....	2
29	240 081	ZYL.SCHRAUBE M8X25 DIN 912 ALLEN SCREW M8X25 / BRUGOLA M8X25..... ANZUGSDREHMOMENT 25 NM TIGHTENING TORQUE 25 NM (220 IN.LB.) COPPIA DI SERRAGGIO 25 NM	2
30	295 080	KURBELWELLENSATZ / CRANKSHAFT REPAIR KIT GRUPPO BIELLA CPL.,.....	1
31	897 341	LOCTITE 14486 LOCTITE 14486, 10 CC., LOCTITE 14486, 10 CC.,..... FUER KURBELWELLENPRESSVERBAND FOR CRANKSHAFT PRESS FIT PER ACCOPPIAMENTO ALBERO MOTORE PRESSATO	N BED AS REQ A RICH
32	297 431	LOCTITE ANTI-SEIZE 76710 LOCTITE ANTI-SEIZE 10 GR., LOCTITE ANTI-SEIZE 10 GR.,..... ZUR VERHINDERUNG VON PASSUNGSROST, 10 GR., TO PREVENT METALL GALLING PER EVITARE CORROSIONE	N BED AS REQ A RICH
33	899 788	LOCTITE 648 GRUEN LCTITE 648 GREEN, 5 GR., LOCTITE 648 VERDE, 5 GR.,..... SCHRAUBENSICHERUNG STARK, 5 GR., HIGH STRENGTH BOND PASTA FISSAGGIO VITI, FORTE	N BED AS REQ A RICH
34	899 785	SCHRAUBENSICHERUNG NIEDRIGFEST LOCTITE 221 VIOLET 10 CC., LOCTITE 221 VIOLETT, 10 CC.,..... LOCTITE 221 VIOLETT, 10 CCM., LOW STRENGTH BOND PASTA DI FISSAGGIO DEBOTE	N BED AS REQ A RICH





6-GANG GETRIEBE  
6-SPEED TRANSMISSION  
TRASMISSIONE 6 MARCE  
-----

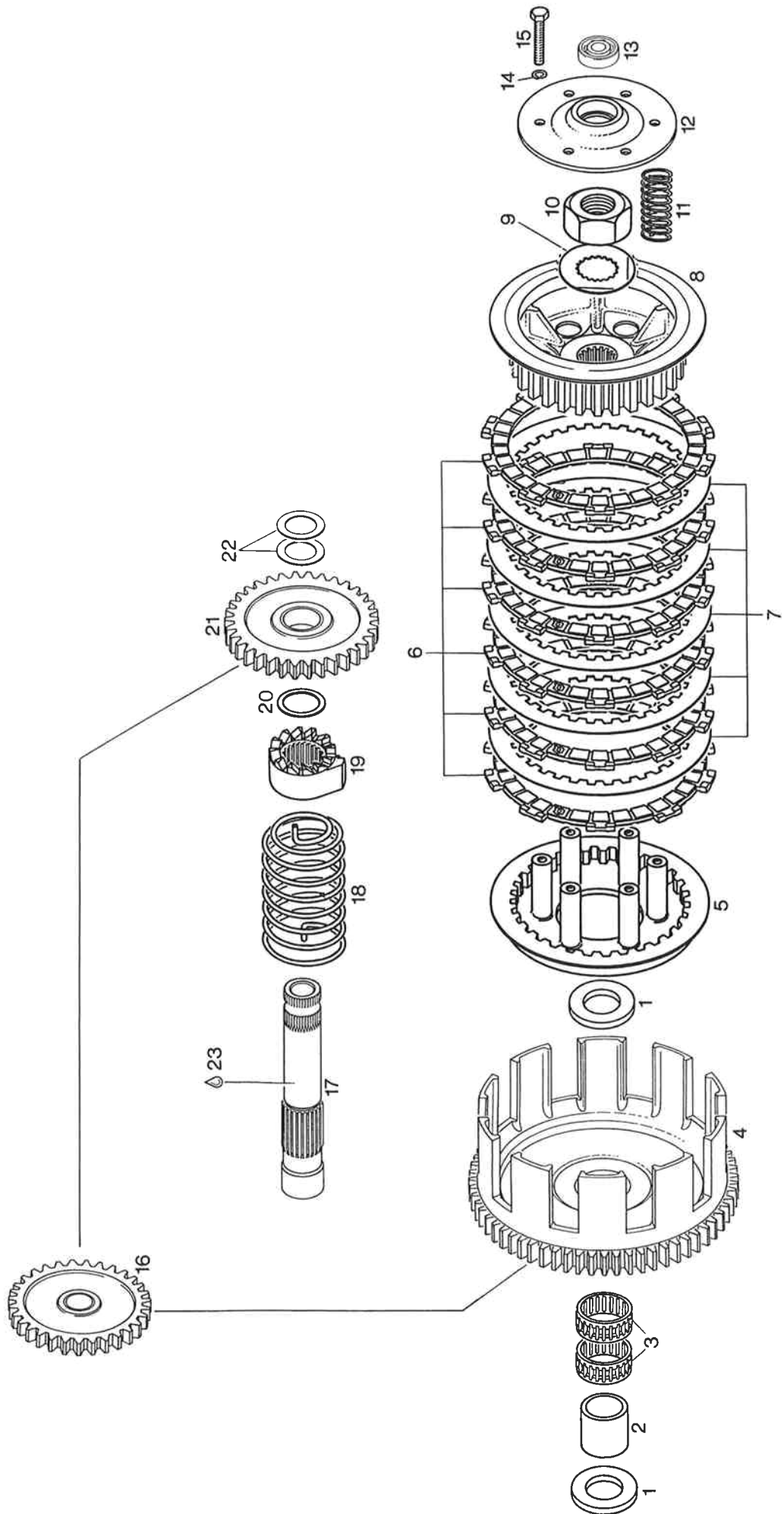
BILD-NR. ILL. NO. FIG.	TEILE-NR. PART NO. CODICE	B E Z E I C H N U N G D E S C R I P T I O N D E S C R I Z I O N E	STUECK QTY. QTA.
1 - 24	281 036	GETRIEBESATZ 6-GANG 4,42 TRANSMISSION SET 6-SPEED 4,42 CAMBIO 6 MARCE 4,42.....	1
1	237 406	VORGELEGEWELLE 10 Z / CLUTCH SHAFT 10 T., ALBERO PRIMARIO 10 D.,..... 1. GANG 1ST SPEED 1 VELOCITA	1
2	232 665	NADELKAEFIG K 20X24X10 NEEDLE BEARING 20X24X10 GABBIA A RULLI 20X24X10.....	1
3	235 445	LOSRAD 29 Z / FREE PINION 29 T. INGRANAGGIO 29 D..... 6. GANG, VORGELEGEWELLE 6TH SPEED, CLUTCH SHAFT 6. VELOCITA, ALBERO PRIMARIO	1
4	227 470	ANLAUFSSCHEIBE 24,2/27,5/1,5 THRUST WASHER 24,2/27,5/1,5 RASAMENTO 24,2/27,5/1,5.....	1
5	245 340	SPRENGRING 24 / SNAPRING 24 / SEEGER 24..	4
6	235 405	SCHALTRAD 15/19 Z / GEAR PINION 15/19 T., INGRANAGGIO 15/19 D.,..... 3./4. GANG, VORGELEGEWELLE 3RD/4TH SPEED, CLUTCH SHAFT 3./4. VELOCITA, ALBERO PRIMARIO	1
7	227 440	ANLAUFSSCHEIBE 20,2/27,5/1 THRUST WASHER 20,2/27,5/1 RASAMENTO 20,2/27,5/1.....	1
8	232 662	NADELKAEFIG K 20X24X10 NEEDLE BEARING 20X24X10 GABBIA A RULLI 20X24X10.....	2
9	234 866	LOSRAD 21 Z / FREE PINION 21 T., INGRANAGGIO 21 D.,..... 5. GANG, VORGELEGEWELLE 5TH SPEED, CLUTCH SHAFT 5. VELOCITA, ALBERO PRIMARIO	1

BILD-NR. ILL. NO. FIG.	TEILE-NR. PART NO. CODICE	B E Z E I C H N U N G D E S C R I P T I O N D E S C R I Z I O N E	STUECK QTY. QTA.
10	235 380	FESTRAD 12 Z / FIXED GEAR 12 T., INGRANAGGIO 12 D.,..... 2. GANG, VORGELEGEWELLE 2ND SPEED, CLUTCH SHAFT 2. VELOCITA, ALBERO PRIMARIO	1
11	237 894	HAUPTWELLE / MAINSHAFT ALBERO SECONDARIO.....	1
12	232 742	NADELKAEFIG K 21X25X10 TNK NEEDLE BEARING 21X25X10 GABBIA A RULLI 21X25X10.....	3
13	235 393	LOSRAD 32 Z / FREE PINION 32 T., INGRANAGGIO 32 D.,..... 2. GANG, HAUPTWELLE 2ND SPEED, MAINSHAFT 2. VELOCITA, ALBERO SECONDARIO	1
14	227 460	ANLAUFSSCHEIBE 22/30/1,8 THRUST WASHER 22/30/1,8 RASAMENTO 22/30/1,8.....	2
15	234 878	SCHALTRAD 23 Z / GEAR PINION 23 T., INGRANAGGIO 23 D.,..... 5. GANG, HAUPTWELLE 5TH SPEED, MAINSHAFT 5. VELOCITA, ALBERO SECONDARIO	1
16	227 490	WINKELRING 22/30/2,8 ANGULAR RING 22/30/2,8 ANELLO ANGOLARE 22/30/2,8.....	1
17	235 425	LOSRAD 29 Z / FREE PINION 29 T., INGRANAGGIO 29 D.,..... 4. GANG, HAUPTWELLE 4TH SPEED, MAINSHAFT 4. VELOCITA, ALBERO SECONDARIO	1
18	235 415	LOSRAD 32 Z / FREE PINION 32 T., INGRANAGGIO 32 D.,..... 3. GANG, HAUPTWELLE 3RD SPEED, MAINSHAFT 3. VELOCITA, ALBERO SECONDARIO	1
19	235 435	SCHALTRAD 21 Z / GEAR PINION 21 T., INGRANAGGIO 21 D.,..... 6. GANG, HAUPTWELLE 6TH SPEED, MAINSHAFT 6. VELOCITA, ALBERO SECONDARIO	1
20	944 468	ANLAUFSSCHEIBE 20,5/30/1 THRUST WASHER 20,5/30/1 RASAMENTO 20,5/30/1.....	1

BILD-NR. ILL. NO. FIG.	TEILE-NR. PART NO. CODICE	B E Z E I C H N U N G D E S C R I P T I O N D E S C R I Z I O N E	STUECK QTY. QTA.
21	234 800	LOSRAED 32 Z / FREE PINION 32 T., INGRANAGGIO 32 D.,..... 1. GANG, HAUPTWELLE 1ST SPEED, MAINSHAFT 1. VELOCITA, ALBERO SECONDARIO	1
22	227 430	ANLAUFSCHIEBE 17,2/30/1 THRUST WASHER 17,2/30/1 RASAMENTO 17,2/30/1.....	1
23	430 460	O-RING DIN 3771-18X3,5-N / O-RING 18X3,5 ANELLO OR 18X3,5.....	1
24	245 650	SEEGER-V-RING AV 20 RETAINING RING AV 20 / SEEGER AV 20.....	1
25	258 577	SCHWENKHEBEL TRANSMISSION ACTUATING LEVER PIASTRA PORTAMOLLA CAMBIO.....	1
26	427 070	SCHIEBE 18,2/34/1 / WASHER 18,2/34/1 SPESSORE 18,2/34/1.....	1
27	239 640	HAARNADELFEDER / SPRING / MOLLA.....	1
28	237 438	SCHALTWELLE / SHIFT SHAFT / ALBERO CAMBIO	1
29	945 470	SICHERUNGSRING 12X1 DIN 471 RETAINING RING 12X1 / SEEGER 12X1.....	1
30	827 261	ANLAUFSCHIEBE 12,5/21,5/1 THRUST WASHER 12,5/21,5/1 RASAMENTO 12,5/21,5/1.....	1
31	430 110	O-RING DIN 3771-10X2,7-N / O-RING 10X2,7 ANELLO OR 10X2,7.....	1
32	250 400	O-RING DIN 3771-12X3,5-N / O-RING 12X3,5 ANELLO OR 12X3,5.....	1
33	258 645	SCHALTKLINKE KPL. / PAWL ASSY., ARPIONISMO CPL.,.....	1
34	239 650	KLINKENFEDER / PAWL SPRING / MOLLA.....	1
35	245 330	SICHERUNGSRING 10X1 DIN 471 RETAINING RING 10X1 / SEEGER 10X1.....	1
36	241 305	EXZENTERSCHRAUBE M12X1 PAWL POSITIONING SCREW M12X1 VITE REGISTRO M12X1.....	1
37	N 642 051	SK-MUTTER M12X1 HOEHE 6 SW 17 HEX. NUT M12X1 / DADO M12X1.....	1

BILD-NR. ILL. NO. FIG.	TEILE-NR. PART NO. CODICE	B E Z E I C H N U N G D E S C R I P T I O N D E S C R I Z I O N E	STUECK QTY. QTA.
38	258 737	SCHALTWALZE KPL. / SHIFT DRUM ASSY., DESMODROMICO CPL.,.....	1
39	827 265	SCHEIBE 12,5/21,5/2 / WASHER 12,5/21,5/2 RONDELLA 12,5/21,5/2.....	1
40	258 695	SCHALTGABEL KPL. / SHIFT FORK ASSY., FORCHETTA CAMBIO CPL.,..... 5./6. GANG 5TH/6TH SPEED 5./6. VELOCITA	1
41	N 258 638	SCHALTGABEL KPL. / SHIFT FORK ASSY. FORCHETTA CAMBIO CPL..... 2./4. GANG 2ND/4TH SPEED 2./4. VELOCITA	1
42	N 258 678	SCHALTGABEL KPL. / SHIFT FORK ASSY. FORCHETTA CAMBIO CPL..... 1./3. GANG 1ST/3RD SPEED 1./3. VELOCITA	1
43	258 540	SCHALTSTANGE / GUIDE PIN / ASTA FORCHETTA	2
44	250 440	DICHRING 8/18/1,5 / GASKET RING 8/18/1,5 ANELLO GUARNIZIONE 8/18/1,5.....	1
45	236 068	KETTENRAD 11 Z SPROCKET 11 T. 5/8X1/4X10,16 PIGNONE 11 D. 5/8X1/4X10,16..... DIESER TEIL IST SERIENMAESSIG EINGEBAUT THIS PART IS MOUNTED AS STANDARD QUESTO PEZZO E MONTATI STADARD	1
45	236 067	KETTENRAD 10 Z SPROCKET 10 T. 5/8X1/4X10,16 PIGNONE 10 D. 5/8X1/4X10,16.....	1
46	297 431	LOCTITE ANTI-SEIZE 76710 LOCTITE ANTI-SEIZE 10 GR., LOCTITE ANTI-SEIZE 10 GR.,..... ZUR VERHINDERUNG VON PASSUNGSROST, 10 GR., TO PREVENT METAL GALLING PER EVITARE CORROSIONE	N BED AS REQ A RICH
47	897 330	LITHIUMSEIFENFETT LITHIUM-BASE GREASE, 250 GR., GRASSO LITHIUM, 250 GR.,..... 250 GR.,	N BED AS REQ A RICH

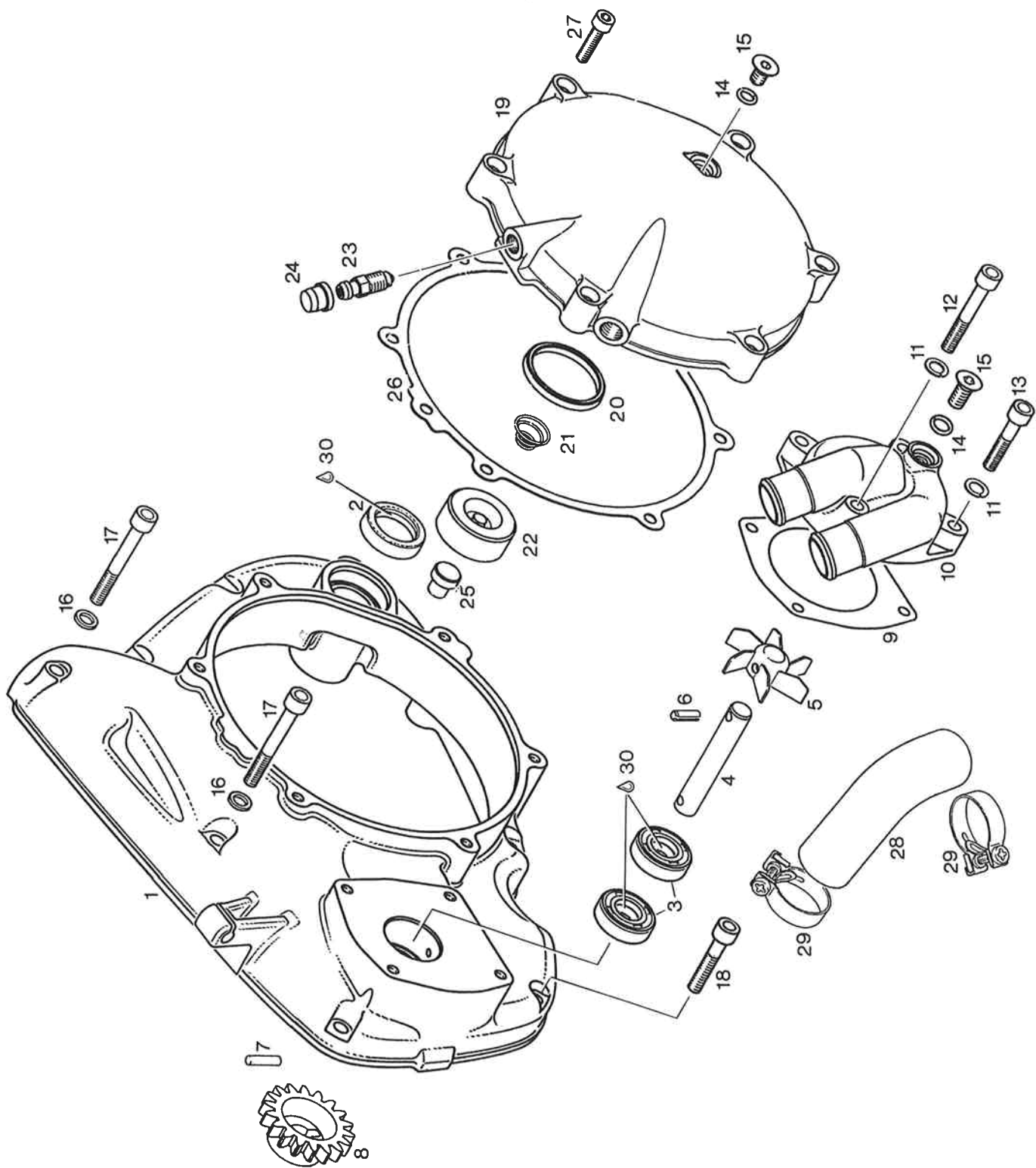
BILD-NR.	TEILE-NR.	B E Z E I C H N U N G	STUECK
ILL. NO.	PART NO.	D E S C R I P T I O N	QTY.
FIG.	CODICE	D E S C R I Z I O N E	QTA.
48	899 785	SCHRAUBENSICHERUNG NIEDRIGFEST LOCTITE 221 VIOLET 10 CC., LOCTITE 221 VIOLETTO, 10 CC.,..... LOCTITE 221 VIOLETT, 10 CCM., LOW STRENGTH BOND PASTA FISSAGGIO VITI, DEBOLE	N BED AS REQ A RICH



KUPPLUNG  
CLUTCH  
FRIZIONE  
-----

BILD-NR. ILL. NO. FIG.	TEILE-NR. PART NO. CODICE	B E Z E I C H N U N G D E S C R I P T I O N D E S C R I Z I O N E	STUECK QTY. QTA.
1	227 600	ANLAUFSSCHEIBE 20,2/35/3 THRUST WASHER 20,2/35/3 RASAMENTO 20,2/35/3.....	2
2	232 700	INNENRING / INNER RACE / BOCCOLA.....	1
3	232 652	NADELKAEFIG K 25X29X10 TM NEEDLE BEARING 25X29X10 GABBIA A RULLI 25X29X10.....	2
4	292 134	PRIMAERTRIEB KPL. DRIVE GEAR W. CLUTCH DRUM ASSY., TRASMISSIONE PRIMARIA CPL.,..... NUR ANTRIEBSRAD MIT KUPPLUNGSKORB GEMEINSAM AUS- TAUSCHEN REPLACE ONLY DRIVE GEAR WITH CLUTCH DRUM ASSY. CAMBIARE SOLO L'INGRANAGGIO E LA CAMPANA FRIZIONE INSIEME	1
5	259 570	STUETZTELLER / INNER PRESSURE PLATE PIATTO PORTAMOLLE.....	1
6	N 259 054	BELAGLAMELLE 3,0 MM FRICTION PLATE 3,0 MM DISCO FRIZIONE GUARNITO 3,0 MM.....	6
7	259 557	INNENLAMELLE / CLUTCH PLATE 1 MM DISCO FRIZIONE 1 MM.....	5
8	259 062	MITNEHMER / CLUTCH HUB / MOZZO FRIZIONE..	1
9	245 320	SICHERUNGSBLECH NA20 / TAB WASHER NA20 RONDELLA SICUREZZA NA20.....	1
10	242 605	SK-MUTTER M18X1,5 / HEX.NUT M18X1,5 DADO ESAGONALE M18X1,5..... ANZUGSDREHMOMENT 80 NM TIGHTENING TORQUE 80 NM (710 IN.LB.) COPPIA DI SERRAGGIO 80 NM	1
11	239 620	KUPPL.FEDER DM14,3 D2,1 L36,7 CLUTCH SPRING 36,7 MM MOLLA FRIZIONE 36,7 MM..... FEDERN NUR SATZWEISE WECHSELN CHANGE SPRINGS ONLY SETWISE CAMBIARE SOLO TUTTA LA SERIE	6
12	259 270	DRUCKPLATTE / RETAINING PLATE ASSY., PIATTO DI SPINTA CPL.,.....	1

BILD-NR. ILL. NO. FIG.	TEILE-NR. PART NO. CODICE	B E Z E I C H N U N G D E S C R I P T I O N D E S C R I Z I O N E	STUECK QTY. QTA.
13	932 770	RK-LAGER 608 / BALL BEARING 608, 8-22-7 CUSCINETTO A SFERE 608, 8-22-7..... 8-22-7	1
14	945 750	FEDERRING DIN 128-A5-FST / LOCK WASHER A5 RONDELLA SPACCATA A5.....	6
15	241 770	SK-SCHRAUBE M5X25 DIN 933 HEX. SCREW M5X25 / VITE ESAGONALE M5X25..	6
16	235 207	ZWISCHENRAD KPL. / IDLE GEAR ASSY. 31 T., INGRANAGGIO INTERMEDIO DPL.31 D..... 31 ZAEHNE	1
17	237 932	STARTERWELLE / KICK START SPRING ALBERO M/M.....	1
18	239 762	KICKSTARTERFEDER / KICK START SPRING MOLLA RITORNO M/M.....	1
19	228 185	SPERRAD / RATCHET GEAR / INNESTO M/M.....	1
20	227 480	ANLAUFSSCHEIBE 20,2/25,5/1 THRUST WASHER 20,2/25,5/1 RASAMENTO 20,2/25,5/1.....	1
21	235 215	STARTERRAD KPL. STARTER GEAR ASSY. 34 T., INGRANAGGIO M/M CPL. 34 D.,..... 34 ZAEHNE	1
22	944 468	ANLAUFSSCHEIBE 20,5/30/1 THRUST WASHER 20,5/30/1 RASAMENTO 20,5/30/1.....	1
22	944 461	AUSGLEICHSCHEIBE 20,5/30/0,3 SHIM 20,5/30/0,3 / SPESSORE 20,5/30/0,3..	1
23	297 431	LOCTITE ANTI-SEIZE 76710 LOCTITE ANTI-SEIZE 10 GR., LOCTITE ANTI-SEIZE 10 GR.,..... ZUR VERHINDERUNG VON PASSUNGSROST, 10 GR., TO PREVENT METAL GALLING PER EVITARE CORROSIONE	N BED AS REQ A RICH

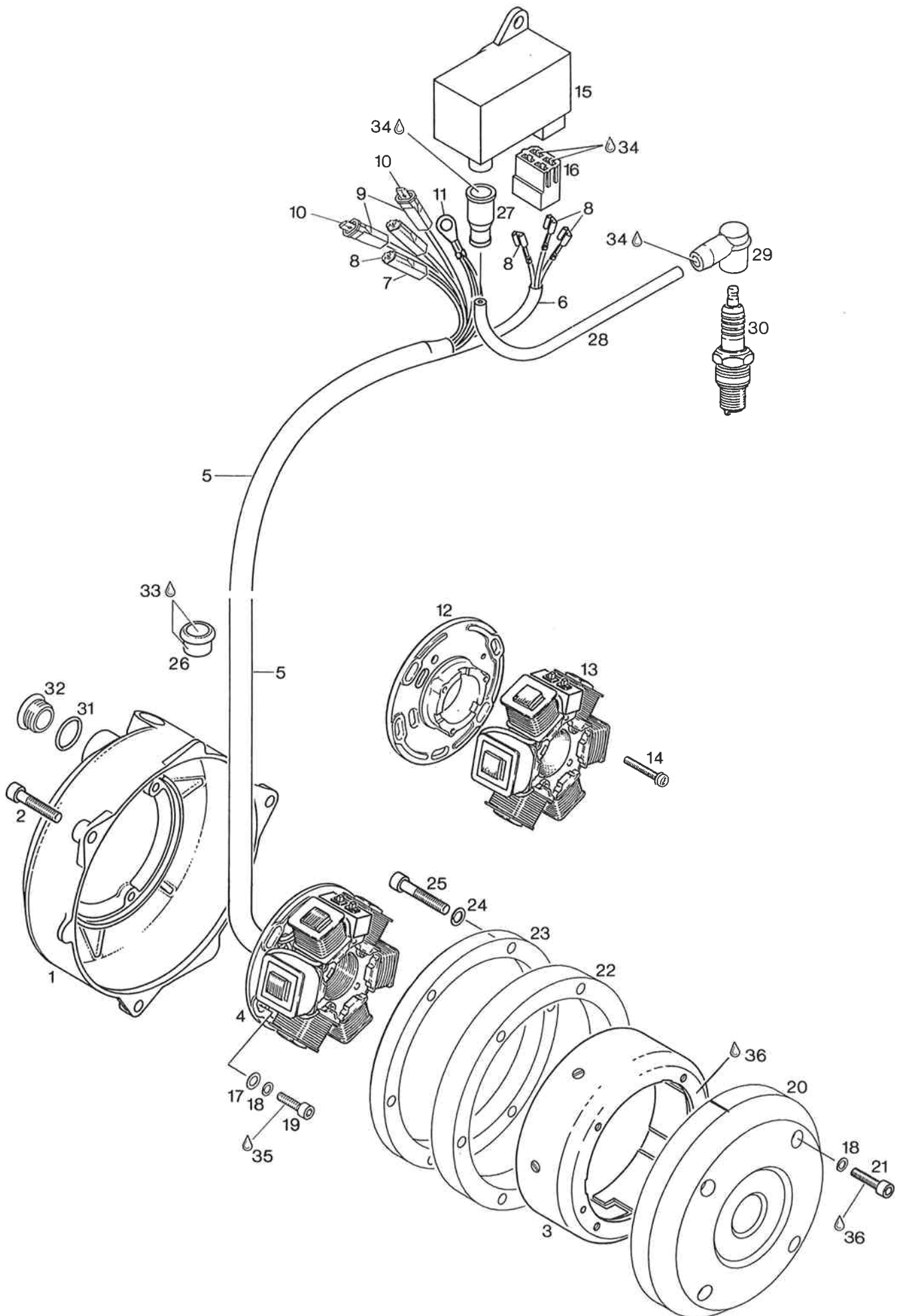


KUPPLUNGSDECKEL, WASSERPUMPE  
CLUTCH COVER, WATER PUMP  
COPERCHIO FRIZIONE, POMPA ACQUA

---

BILD-NR. ILL. NO. FIG.	TEILE-NR. PART NO. CODICE	B E Z E I C H N U N G D E S C R I P T I O N D E S C R I Z I O N E	STUECK QTY. QTA.
1	210 505	KUPPLUNGSDECKEL / CLUTCH COVER COPERCHIO FRIZIONE..... GRAU METALLIC GRAY METALLIC GRIGIO METALLIZZATO	1
2	230 355	WD-RING BS 20X28X6 NBR / OIL SEAL 20X28X6 PARAOLIO 20X28X6.....	1
3	230 195	WD-RING A 10X26X7 NBR / OIL SEAL 10X26X7 PARAOLIO 10X26X7.....	2
4	237 915	PUMPENWELLE / PUMP SHAFT ALBERO POMPA OLIO.....	1
5	N 222 390	LAUFRAD / IMPELLER / GIRANTE.....	1
6	229 280	SPANNHUELSE 4X16 DIN 1481 SLOTTED SPRING PIN 4X16 / SPINA 4X16.....	1
7	232 730	NADELROLLE 4X15,8 G3 DIN 5402 NEEDLE PIN 4X15,8 / PERNO 4X15,8.....	1
8	234 540	PUMPENRAD 18 Z / PUMP GEAR 18 T., INGRANAGGIO POMPA 18 D.,.....	1
9	N 250 501	DICHTUNG / GASKET / GUARNIZIONE.....	1
10	222 240	WASSERPUMPENGEHAEUSE / WATER PUMP HOUSING CORPO POMPA ACQUA.....	1
11	945 750	FEDERRING DIN 128-A5-FST / LOCK WASHER A5 RONDELLA SPACCATA A5.....	4
12	841 501	ZYL.SCHRAUBE M5X35 DIN 912 ALLEN SCREW M5X35 / BRUGOLA M5X35.....	1
13	240 186	ZYL.SCHRAUBE M5X25 DIN 912 CYL. SCREW M5X25 / BRUGOLA M5X25.....	3
14	230 530	O-RING DIN 3771-6X1,7-N / O-RING 6X1,7 ANELLO OR 6X1,7.....	2
15	840 280	SENKSCHRAUBE M6X10 DIN 7991 COUNTERSUNK SCREW M6X10 / VITE M6X10.....	2
16	330 890	DICHTRING 6,2/8,9/1 GASKET RING 6,2/8,9/1 ANELLO GUARNIZIONE 6,2/8,9/1.....	2

BILD-NR. ILL. NO. FIG.	TEILE-NR. PART NO. CODICE	B E Z E I C H N U N G D E S C R I P T I O N D E S C R I Z I O N E	STUECK QTY. QTA.
17	241 321	ZYL.SCHRAUBE M6X45 DIN 912 ALLEN SCREW M6X45 / BRUGOLA M6X45.....	2
18	840 330	ZYL.SCHRAUBE M6X30 DIN 912 ALLEN SCREW M6X30 / BRUGOLA M6X30.....	7
19 - 24 N	210 515	AUSRUECKDECKEL KPL. CLUTCH RELEASE COVER COPERCHIETTO FRIZIONE..... BEIGE BEIGE BIGIO	1
20	N 650 100	DICHTMANSCHETTE / RUBBER SEAL / GIUNTO...	1
21	N 239 330	KEGELFEDER / SPRING / MOLLA.....	1
22	N 256 440	HYDRAULIKKOLBEN / HYDRAULIC PISTON PISTONE IDRAULICO.....	1
23	N 241 050	ENTLUEFTUNGSSCHRAUBE / VENTING SCREW VITE DI SFIATO.....	1
24	N 260 230	SCHUTZKAPPE / GROMMET / GUAINA.....	1
25	N 259 145	DRUCKPILZ / THRUST HUB / FUNGO DI SPINTA.	1
26	250 490	DICHTUNG / GASKET / GUARNIZIONE.....	1
27	240 181	ZYL.SCHRAUBE M5X20 DIN 912 ALLEN SCREW M5X20 / BRUGOLA M5X20.....	6
28	222 330	KUEHLWASSERSCHLAUCH / WATER TUBE TUBO ACQUA.....	1
29	251 875	SCHLAUCHSCHELLE 23/12 / CLAMP 23/12 FASCETTA 23/12.....	2
30	897 161	MOLYKOTE 111 MOLYKOTE 111, 100 GR., MOLYKOTE 111, 100 GR.,..... SILIKONFETT 100 GR., SILICON GREASE GRASSO SILICONE	N REQ AS REQ A RICH

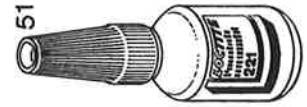
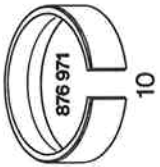
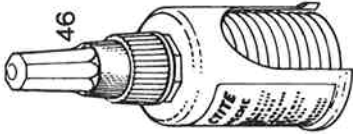


MAGNETZUENDER-GENERATOR 12V 60/40/20W  
 MAGNETO GENERATOR 12V 60/40/20W  
 ACCENSIONE 12V 60/40/20W

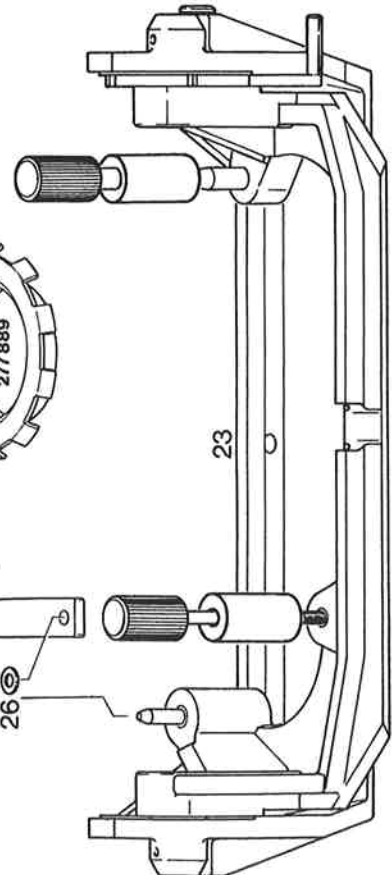
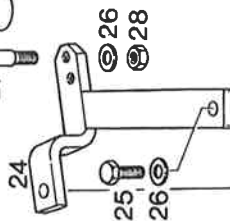
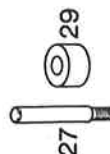
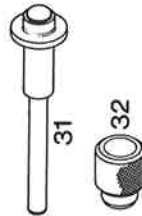
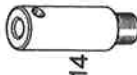
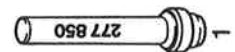
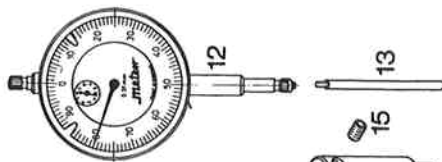
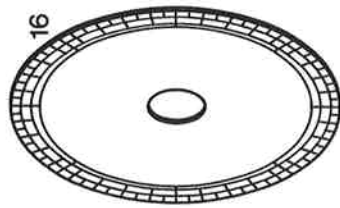
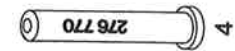
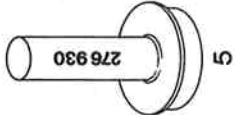
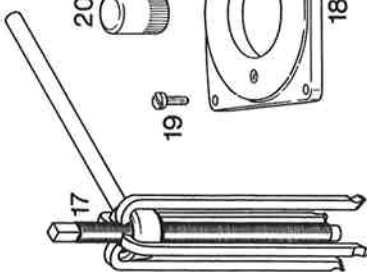
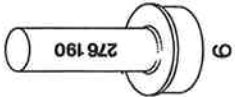
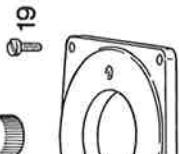
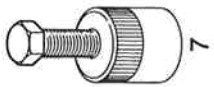
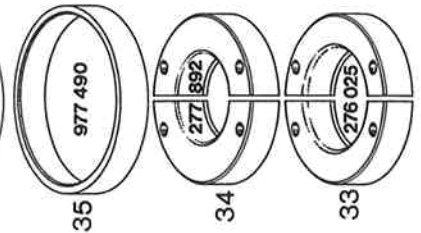
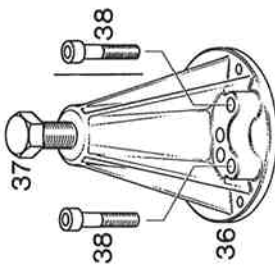
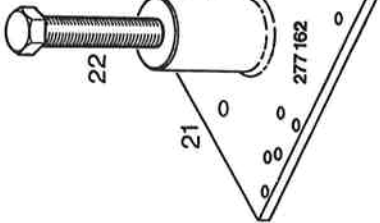
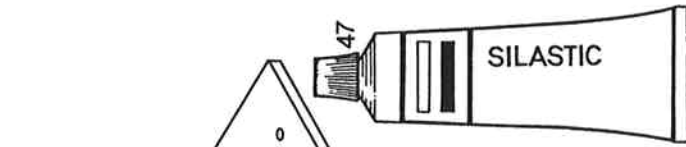
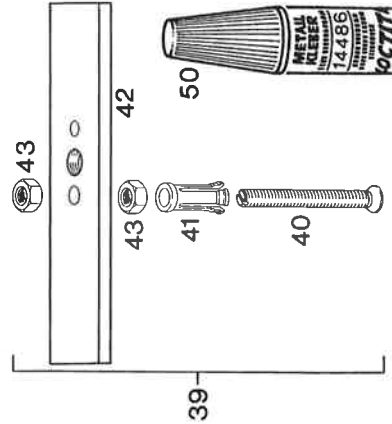
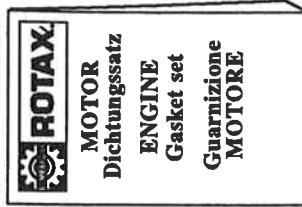
BILO-NR. ILL. NO. FIG.	TEILE-NR. PART NO. CODICE	B E Z E I C H N U N G D E S C R I P T I O N D E S C R I Z I O N E	STUECK QTY. QTA.
1	210 522	ZUENDERDECKEL / IGNITION COVER COPERCHIO VOLANO..... BEIGE BEIGE BIGIO	1
2	241 930	ZYL.SCHRAUBE M6X20 DIN 912 ALLEN SCREW M6X20 / BRUGOLA M6X20.....	5
3 - 15 N	295 271	MZ-GENERATOR / MAGNETO GENERATOR ACCENSIONE.....	1
3	N 294 416	MAGNETRING AVJ 5123 / MAGNETO FLYWHEEL VOLANO MAGNETO.....	1
4 - 14 N	294 426	ANKERPLATTE KPL. / STATOR PLATE ASSY. PIATTOSTATORE CPL.....	1
5	860 491	ISOLIERSCHLAUCH 530 MM PROTECTION HOSE 530 MM / GUAINA 530 MM...	1
6	260 525	ISOLIERSCHLAUCH 100 MM PROTECTION HOSE 100 MM / GUAINA 100 MM...	1
7	960 719	ISOLIERHUELSE ISO 25 PE/N CONNECTOR SHEATH / GUAINA ISOLANTE.....	2
8	864 011	STECKHUELSE 6,3X0,8 FASTON CONNECTOR 6,3X0,8 SPINETTA FASTON 6,3X0,8.....	5
9	965 290	ISOLIERHUELSE / PROTECTION CAP GUAINA ISOLANTE.....	2
10	866 300	FLACHSTECKER 6,3X0,8 FASTON CONNECTOR 6,3X0,8 / SPINA 6,3X0,8.	2
11	964 057	LEITUNGSSCHUH M6 / TERMINAL M6 TERMINALE M6.....	1
12		. . <p>..... 1        ANKERPLATTE, NICHT ALS ERSATZTEIL LIEFERBAR.        VERWENDE 294 426 ANKERPLATTE KPL.,        STATOR PLATE, NOT AVAILABLE AS SPARE PART. USE        294 426 STATOR PLATE ASSY.,        PIATTO STATORE, NON DISPONIBILE COME RICAMBIO.        ORDINARE 294 426 PIATTO STATORE CPL.,</p>	

BILD-NR. ILL. NO. FIG.	TEILE-NR. PART NO. CODICE	B E Z E I C H N U N G D E S C R I P T I O N D E S C R I Z I O N E	STUECK QTY. QTA.
13		<p>• • ..... 1 ANKERSATZ, NICHT ALS ERSATZTEIL LIEFERBAR. VERWENDE 294 426 ANKERPLATTE KPL., COIL SET, NOT AVAILABLE AS SPARE PART. USE 294 426 STATOR PLATE ASSY., GRUPPO BOBINE, NON DISPONIBILE COME RICAMBIO. ORDINARE 294 426 PIATTO STATORE CPL.,</p>	
14	941 285	KOMBISCHRAUBE M4X23 COMBINED SCREW M4X23 / VITE M4X23.....	3
15	265 015	ELEKTRONIKBOX / ELECTRONIC BOX CENTRALINA ELETTRONICA.....	1
16	264 340	STECKERGEHAUESE / CONNECTOR HOUSING GUAINA.....	1
17	N 927 571	SCHIEBE 5,3 DIN 125 / WASHER 5,3 RONDELLA 5,3.....	3
18	945 750	FEDERRING DIN 128-A5-FST / LOCK WASHER A5 RONDELLA SPACCATA A5.....	7
19	240 150	ZYL.SCHRAUBE M5X14 DIN 6912 ALLEN SCREW M5X14 / BRUGOLA M5X14.....	3
20	264 304	SCHWUNGRAD / FLYWHEEL / MASSA ROTANTE....	1
21	240 181	ZYL.SCHRAUBE M5X20 DIN 912 ALLEN SCREW M5X20 / BRUGOLA M5X20.....	4
22	264 314	SCHWUNGRING 19 MM / FLYWHEEL 19 MM MASSA ROTANTE SUPPL. 19 MM..... MIT ZYLINDRISCHEM AUSSENDURCHMESSER 141 MM WITH CYLINDRICAL OUTER DIAMETER 141 MM CON DIAMETRO ESTERNO CILINDRICO 141 MM	1
23	264 315	SCHWUNGRING 13 MM / FLYWHEEL 13 MM MASSA ROTANTE SUPPL. 13 MM.....	1
24	445 330	HOCHSPANNRING VHZ 6 / LOCK WASHER VHZ 6 RONDELLA SPACCATA VHZ 6.....	6
25	241 810	ZYL.SCHRAUBE M6X35 DIN 912 ALLEN SCREW M6X35 / BRUGOLA M6X35.....	6
26	960 283	LEITUNGSTUELLE 15,5/13 CABLE GROMMET 15,5/13 GOMMINO FILO 15,5/13.....	1

BILD-NR. ILL. NO. FIG.	TEILE-NR. PART NO. CODICE	B E Z E I C H N U N G D E S C R I P T I O N D E S C R I Z I O N E	STUECK QTY. QTA.
27	960 550	REGENSCHUTZKAPPE / PROTECTION CAP CAPPUCCIO GOMMA.....	1
28	264 122	ZUENDLEITUNG 130 MM IGNITION CABLE 130 MM FILO CANDELA 130 MM.....	1
29	365 200	ZUENDLEITUNGSSTECKER SPARK PLUG CONNECTOR / CAPPUCCIO CANDELA.	1
30		• • ..... ZUENDKERZE SPARK PLUG CANDELA	1
31	230 400	O-RING DIN 3771-18X1,5-N / O-RING 18X1,5 ANELLO OR 18X1,5.....	1
32	241 800	VERSCHLUSSSCHRAUBE M18X1,5 PLUG SCREW M18X1,5 TAPPO PLASTICO M18X1,5.....	1
33	297 386	SILASTIC 732 RTV SILASTIC 732 RTV, 100 GR., SILASTIC 732 RTV, 100 GR.,..... 100 GR.,	N BED AS REQ A RICH
34	897 330	LITHIUMSEIFENFETT LITHIUM-BASE GREASE, 250 GR., GRASSO LITHIUM, 250 GR.,..... 250 GR.,	N BED AS REQ A RICH
35	899 785	SCHRAUBENSICHERUNG NIEDRIGFEST LOCTITE 221 VIOLET 10 CC., LOCTITE 221 VIOLETT, 10 CC.,..... LOCTITE 221 VIOLETT, 10 CCM., LOW STRENGTH BOND PASTA FISSAGGIO VITI, DEBOLE	N BED AS REQ A RICH
36	899 788	LOCTITE 648 GRUEN LOCTITE 648 GREEN, 5 GR., LOCTITE 648 VERDE, 5 GR.,..... SCHRAUBENSICHERUNG HOCHFEST, 5 GR., HIGH STRENGTH BOND PASTA FISSAGGIO VITI, FORTE	N BED AS REQ A RICH



52



REPARATURWERKZEUGE, DICHTUNGSSATZ  
 REPAIR TOOLS, GASKET SET  
 ATTREZZI RIPARAZIONE, SERIE GUARNIZIONE

---

BILD-NR. ILL. NO. FIG.	TEILE-NR. PART NO. CODICE	B E Z E I C H N U N G D E S C R I P T I O N D E S C R I Z I O N E	STUECK QTY. QTA.
1	277 850	MONTAGESTEMPEL KPL. INSERTION JIG ASSY., TAMPONE MONTAGGIO CPL.,.....	1
		FUER WD-RING 230 355, STARTERWELLE FOR OIL SEAL 230 355, KICKSTART SHAFT PER PARAOLIO 230 355, ALBERO M/M	
2	277 875	MONTAGESTEMPEL KPL. INSERTION JIG ASSY., TAMPONE MONTAGGIO CPL.,.....	1
		FUER WD-RING 230 425, KURBELWELLE FOR OIL SEAL 230 425, CRANKSHAFT PER PARAOLIO 230 425, ALBERO MOTORE	
3	276 502	MONTAGESTEMPEL KPL. INSERTION JIG ASSY., TAMPONE MONTAGGIO CPL.,.....	1
		FUER WD-RING 930 675, HAUPTWELLE FOR OIL SEAL 930 675, MAIN SHAFT PER PARAOLIO 930 675, ALBERO SECONDARIO	
4	276 770	MONTAGESTEMPEL / INSERTION JIG TAMPONE MONTAGGIO.....	1
		FUER WD-RING 230 195, WASSERPUMPENWELLE FOR OIL SEAL 230 195, WATER PUMP SHAFT PER PARAOLIO 230 195, ALBERO POMPA ACQUA	
5	276 930	MONTAGESTEMPEL KPL. INSERTION JIG ASSY., TAMPONE MONTAGGIO CPL.,.....	1
		FUER GEHAEUSERING 960 765, MAGNETSEITE FOR PLASTIC RING 960 765, MAGNETO SIDE PER ANELLO TEFLON 960 765, LATO VOLANO	
6	276 190	MONTAGESTEMPEL KPL. INSERTION JIG ASSY., TAMPONE MONTAGGIO CPL.,.....	1
		FUER GEHAEUSERING 260 400, KUPPLUNGSSEITE FOR CRANKCASE RING 260 400, CLUTCH SIDE PER ANELLO TEFLON 260 400, LATO FRIZIONE	
7	277 807	ABZIEHER KPL. M35X1,5 PULLER ASSY. M35X1,5 ESTRATTORE CPL. M35X1,5.....	1
		FUER MAGNETGEHAEUSE FOR FLYWHEEL PER ROTANTE VOLANO	

BILD-NR. ILL. NO. FIG.	TEILE-NR. PART NO. CODICE	B E Z E I C H N U N G D E S C R I P T I O N D E S C R I Z I O N E	STUECK QTY. QTA.
8	277 970	FUEHRUNGSHUELSE / GUIDE SLEEVE BUSSOLA GUIDA..... FUER WD-RING 930 675, HAUPTWELLE FOR OIL SEAL 930 675, MAIN SHAFT PER PARAOLIO 930 675, ALBERO SECONDARIO	1
9	241 965	FIXIERSCHRAUBE M8X30 CRANKSHAFT FIXATION SCREW M8X30 VITE BLOCCAGGIO M8X30..... FUER KURBELWELLE FOR CRANKSHAFT PER ALBERO MOTORE	1
10	876 971	MONTAGERING / PISTON RING SPANNER 70,5 MM STRINGIFASCE 70,5 MM..... FUER KOLBEN 70,5 MM, MOTOR TYPE 242 TL TO MOUNT PISTON IN CYLINDER FOR ENGINE TYPE 242 TL PER MONTARE IL PISTONE NEL CILINDRO PER MOTORE TIPO 242 TL	1
11	876 972	MONTAGERING / PISTON RING SPANNER 76 MM STRINGIFASCE 76 MM..... FUER KOLBEN 76 MM, MOTOR TYPE 282 TL TO MOUNT PISTON IN CYLINDER FOR ENGINE TYPE 282 TL PER MONTARE IL PISTONE NEL CILINDRO PER MOTORE TIPO 282 TL	1
12	876 950	PRAEZISIONS-MESSUHR PRECISION DIAL GAUGE / COMPARATORE..... ZUR KONTROLLE DES ZUENDZEITPUNKTES TO CHECK IGNITION TIMING PER CONTROLLO ANTICIPO ACCENSIONE	1
13	876 945	MESSUHRVERLAENGERUNG / GAUGE PIN PROLUNGAMENTO COMPARATORE 71 MM.....	1
14	876 940	MESSUHRADAPTER / GAUGE ADAPTER ADATTATORE PER COMPARATORE.....	1
15	841 771	GEWINDESTIFT M6X8 DIN 913 SET SCREW M6X8 / VITE M6X8.....	1
16	277 150	GRADSCHEIBE / DEGREE DISK DISCO CON GRADI..... ZUM EINSTELLEN DER DREHSCHIEBERSTEUERZEIT TO ADJUST ROTARY VALVE TIMING PER CONTROLLO MESSA IN FASE DELLA VALVOLA ROTANTE	1

BILD-NR. ILL. NO. FIG.	TEILE-NR. PART NO. CODICE	B E Z E I C H N U N G D E S C R I P T I O N D E S C R I Z I O N E	STUECK QTY. QTA.
17	277 180	KUGELLAGERABZIEHER-GARNITUR BALL BEARING PULLER SET KIT TIRANTI CUSCINETTO..... 1 FUER RK-LAGER 6006,6203,6300,6007,6204,6301,6302, 6204E,6205,6303 UND 6304 FOR BALL BEARING 6006,6203,6300,6007,6204,6301, 6302,6204E,6205,6303 AND 6304 PER CUSCINETTO SFERE 6006,6203,6300,6007,6204,6301 6302,6204E,6205,6303 E 6304	
18	276 910	ABZIEHPLATTE / PULLER PLATE PIATTO ESTRATTORE..... 1 FUER GEHAUSEHAELFTE FOR CRANKCASE HALF PER SEPARARE CARTER	
19	840 351	ZYL.SCHRAUBE M5X20 DIN 84 SLOTTED HEAD SCREW M5X20 VITE TONDA M5X20..... 4	
20	276 920	SCHUTZKAPPE / PROTECTION CAP CAPPuccio PROTETTIVO..... 1 FUER KURBELWELLE FOR CRANKSHAFT PER ALBERO MOTORE	
21 - 22 N	277 162	ABDRUECKPLATTE KPL. / PULLER PLATE ASSY., PIATTO ESTRATTORE CPL.,..... 1 ZUM AUSDRUECKEN DER KURBELWELLE FOR CRANKSHAFT PER ALBERO MOTORE	
22	940 755	SK-SCHRAUBE M16X1,5X150 DIN961 HEX. SCREW M16X1,5X150 VITE ESAGONALE M16X1,5X150..... 1	
23	277 917	MONTAGEBOCK KPL. / TRESTLE ASSY., STAFFATURA CPL.,..... 1	
24 - 29	277 105	MONTAGEBOCK-AUFNAHMESATZ INSERT KIT FOR TRESTLE ASSY., KIT INSERTI PER STAFFATURA CPL.,..... 1 FUER MOTOR-TYPE 124, 127, 244 UND 242/282 FOR ENGINE TYPE 124, 127, 244 UND 242/282 PER MOTORE TIPO 124, 127, 244 UND 242/282	
24	277 100	ADAPTER KPL. / ADAPTOR ASSY., ADATTATORE CPL.,..... 1	
25	940 590	SK-SCHRAUBE M8X20 DIN 933 HEX. SCREW M8X20 / VITE ESAGONALE M8X20.. 1	
26	250 311	SCHEIBE 8,4 DIN 125 / WASHER 8,4 RONDELLA 8,4..... 2	

BILD-NR. ILL. NO. FIG.	TEILE-NR. PART NO. CODICE	B E Z E I C H N U N G D E S C R I P T I O N D E S C R I Z I O N E	STUECK QTY. QTA.
27	277 110	AUFNAHMEBOLZEN / BOLT / BULLONE.....	1
28	242 201	SK-MUTTER M8 DIN 934 / HEX.NUT M8 DADO ESAGONALE M8.....	1
29	847 160	DISTANZHUELSE 10,5/24/15 SPACER 10,5/24/15 BUSSOLA DISTANZIALE 10,5/24/15.....	1
		FUER MOTOR TYPE 127 FOR ENGINE TYPE 127 PER MOTORE TIPO 127	
30	277 389	MITNEHMERFIXIERUNG CLUTCH HUB LOCKING TOOL ATTREZZO BLOCCAGGIO FRIZIONE.....	1
31 - 32	877 015	MONTAGEDORN KPL. CIRCLIP INSTALLATION TOOL ASSY., TAMPONE MONTAGGIO SEEGER CPL.,.....	1
		ZUR MONTAGE DER KOLBENBOLZEN-SICHERUNGSRINGE 18 MM TO MOUNT PISTON PIN CIRCLIPS 18MM (.708IN.) PER MONTAGGIO ANELLINO SPINOTTO	
31	877 010	MONTAGEDORN / CIRCLIP INSTALLATION PUSHER TAMPONE MONTAGGIO.....	1
32	877 020	MONTAGEHUELSE CIRCLIP INSTALLATION SLEEVE BUSSOLA MONTAGGIO SEEGER.....	1
33	276 025	RINGHAELFTE / RING HALF / SEMI ANELLO.....	2
		FUER RK-LAGER 6206, KURBELWELLE MAGNETSEITIG FOR BALL BEARING 6206, CRANKSHAFT MAGNETO SIDE PER CUSCINETTO 6206, ALBERO MOTORE LATO MAGNETE	
34	277 392	RINGHAELFTE / RING HALF / SEMI-ANELLO.....	2
		FUER RK-LAGER 3205, KURBELWELLE KUPPLUNGSSEITIG FOR BALL BEARING 3205, CRANKSHAFT CLUTCH SIDE PER CUSCINETTO 3205, ALBERO MOTORE LATO FRIZIONE	
35	977 490	RING / RING / ANELLO.....	1
		FUER RINGHAELFTEN FOR RING HALVES PER SEMI-ANELLI	
36 - 37	876 293	ABZIEHER KPL. / PULLER ASSY., ESTRATTORE CPL.,.....	1
		FUER RK-LAGER, KURBELWELLE FOR BALL BEARING, CRANKSHAFT PER CUSCINETTO SFERE, ALBERO MOTORE	
37	940 755	SK-SCHRAUBE M16X1,5X150 DIN961 HEX. SCREW M16X1,5X150 VITE ESAGONALE M16X1,5X150.....	1

BILD-NR. ILL. NO. FIG.	TEILE-NR. PART NO. CODICE	B E Z E I C H N U N G D E S C R I P T I O N D E S C R I Z I O N E	STUECK QTY. QTA.
38	840 681	ZYL.SCHRAUBE M8X40 DIN 912 ALLEN SCREW M8X40 / BRUGOLA M8X40..... FUER ABZIEHER FOR PULLER PER ESTRATTORE	4
39 - 43	276 360	LAGERAUSZIEHER KPL. / PULLER ASSY., ESTRATTORE CPL.,..... FUER RK-LAGER 6203, VORGELEGEWELLE MAGNETSEITIG FOR BALL BEARING 6203, CLUTCH SHAFT MAGNETO SIDE PER CUSCINETTO SFERE 6203, ALBERO PRIMARIO LATO MAGNETE	1
40	276 380	AUSZIEHBOLZEN / BOLT M10 / BULLONE M10...	1
41	276 370	SPREIZHUELSE / EXTRACTOR SLEEVE BUSSOLA SPACCATA..... FUER RK-LAGER 6203, 17-40-12 FOR BALL BEARING 6203, 17-40-12 PER CUSCINETTO SFERE 6203, 17-40-12	1
42	276 390	ABSTUETZLEISTE / SUPPORT PLATE / REGOLO..	1
43	N 242 091	SK-MUTTER M10 DIN 934 / HEX.NUT M10 DADO ESAGONALE M10.....	2
44	297 431	LOCTITE ANTI-SEIZE 76710 LOCTITE ANTI-SEIZE 10 GR., LOCTITE ANTI-SEIZE 10 GR.,..... ZUR VERHINDERUNG VON PASSUNGSROST, 10 GR., TO PREVENT METAL GALLING PER EVITARE CORROSIONE	1
45	897 161	MOLYKOTE 111 / MOLYKOTE 111, 100 GR., MOLYKOTE 111, 100 GR.,..... SILIKONFETT, 100 GR., SILICONE GREASE GRASSO SILICONE	1
46	899 784	LOCTITE 574 ORANGE LOCTITE 574 ORANGE 50 CC., LOCTITE 574 ARANCIO 50 CC.,..... FLAECHENDICHTUNGSMITTEL, 50 CCM., SEALING COMPOUND PASTA GUARNIZIONE	1
47	297 386	SILASTIC 732 RTV SILASTIC 732 RTV, 100 GR., SILASTIC 732 RTV, 100 GR.,..... 100 GR.,	1

BILD-NR. ILL. NO. FIG.	TEILE-NR. PART NO. CODICE	B E Z E I C H N U N G D E S C R I P T I O N D E S C R I Z I O N E	STUECK QTY. OTA.
48	899 789	LOCTITE 648 GRUEN LOCTITE 648 GREEN, 5 GR., LOCTITE 648 VERDE, 5 GR.,..... SCHRAUBENSICHERUNG HOCHFEST, 5 GR., HIGH STRENGTH BOND PASTA FISSAGGIO VITI, FORTE	1
49	897 330	LITHIUMSEIFENFETT LITHIUM-BASE GREASE, 250 GR., GRASSO LITHIUM, 250 GR.,..... 250 GR.,	1
50	897 341	LOCTITE 14486 / LOCTITE 14486, 10 CC., LOCTITE 14486, 10 CC.,..... FUER KURBELWELLENPRESSVERBAND 242 TL U. 282 TL FOR CRANKSHAFT PRESS FIT PER ACCOPPIAMENTO ALBERO MOTORE PRESSATO	1
51	899 785	SCHRAUBENSICHERUNG NIEDRIGFEST LOCTITE 221 VIOLET 10 CC., LOCTITE 221 VIOLETTO, 10 CC.,..... MEANS OF SECURING WEAK PASTA FISSAGGIO VITI, DEBOLE	1
52	N 293 178	DICHTUNGSSATZ / GASKET SET SERIE GUARNIZIONE..... FUER MOTOR TYPE 242 TL UND 282 TL FOR ENGINE TYPE 242 TL AND 282 TL PER MOTORE TIPO 242 TL E 282 TL	1



APRILIA S.p.A.  
Divisione Ricambi  
Via G. Galilei 15  
I-30033 NOALE (VE)