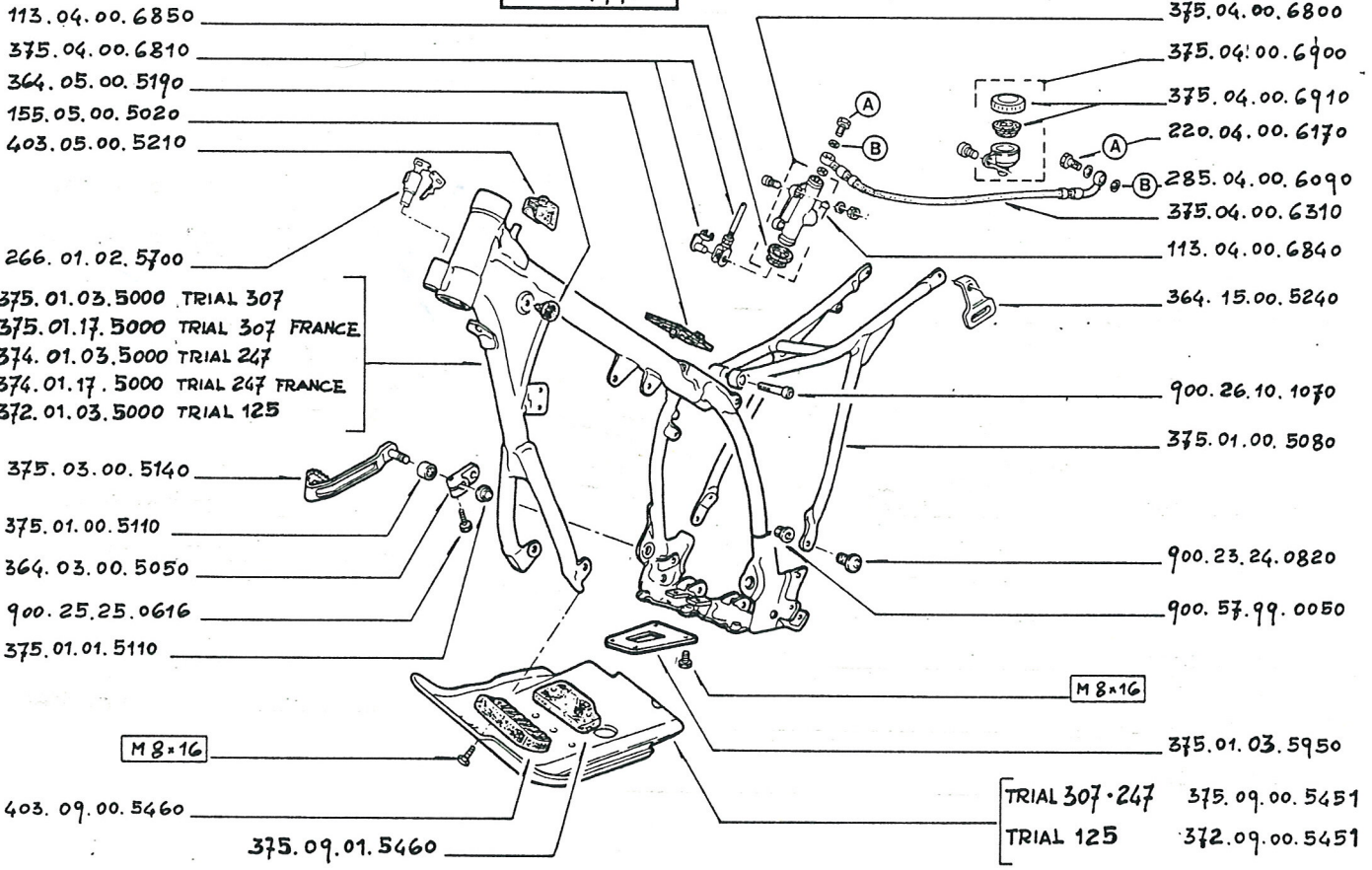


307

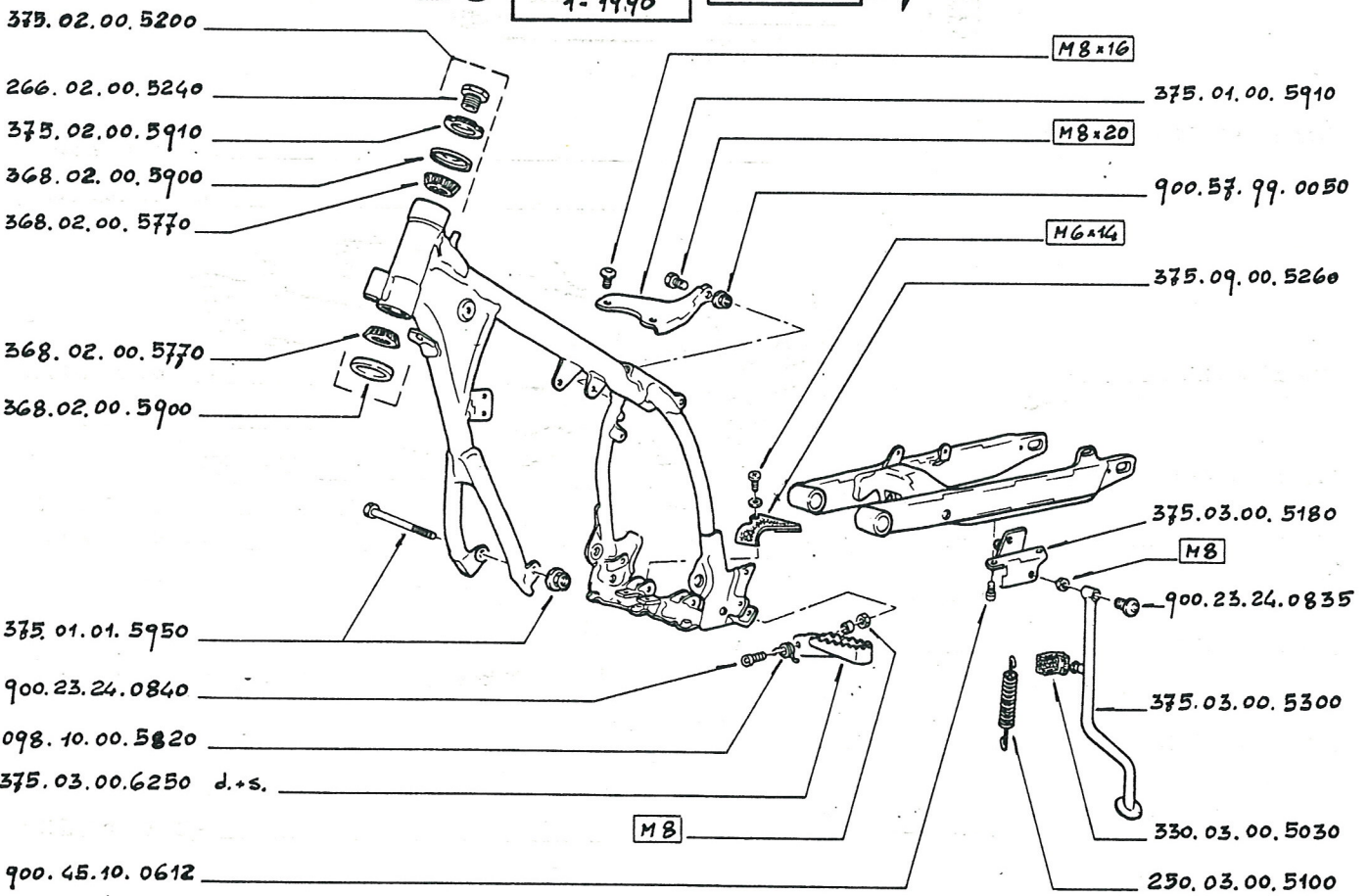
B1

1-1990



B5

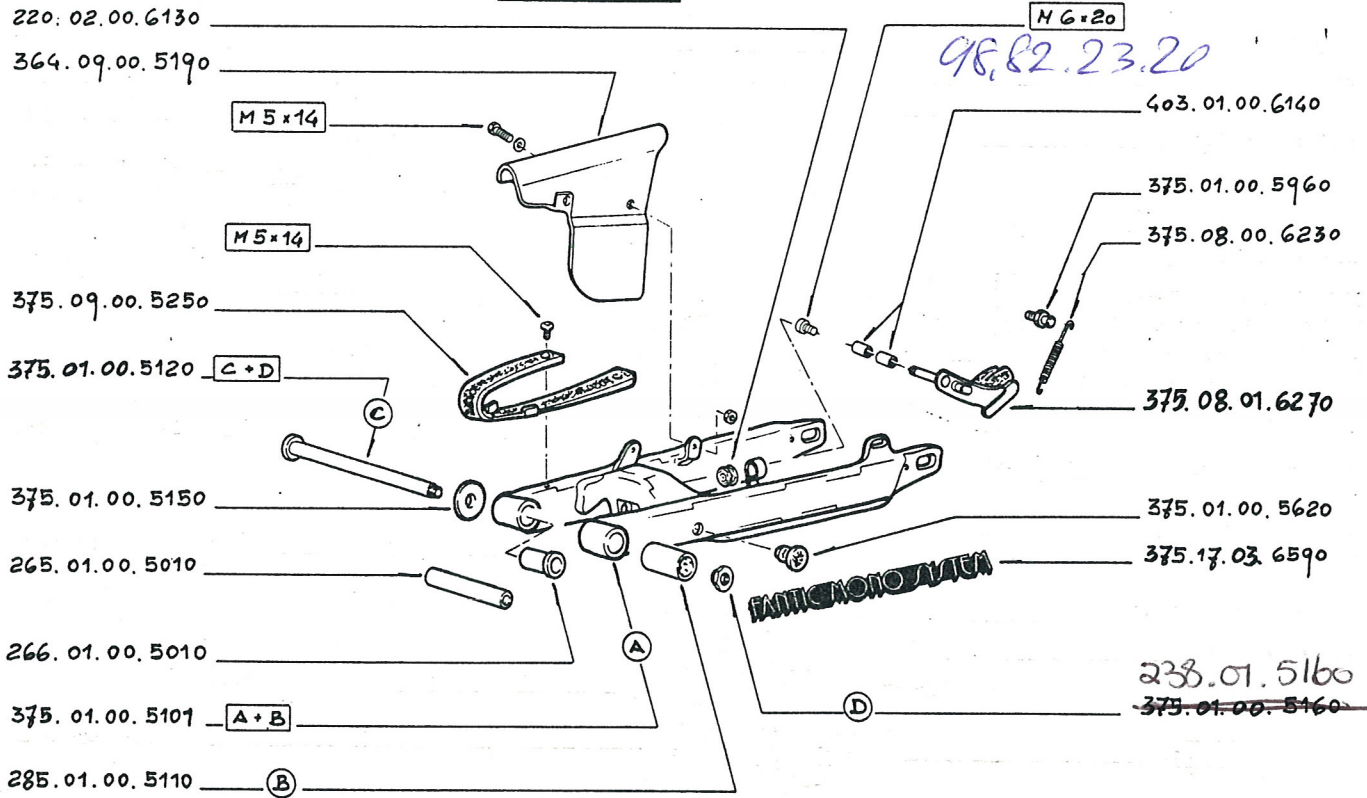
1-1990



307

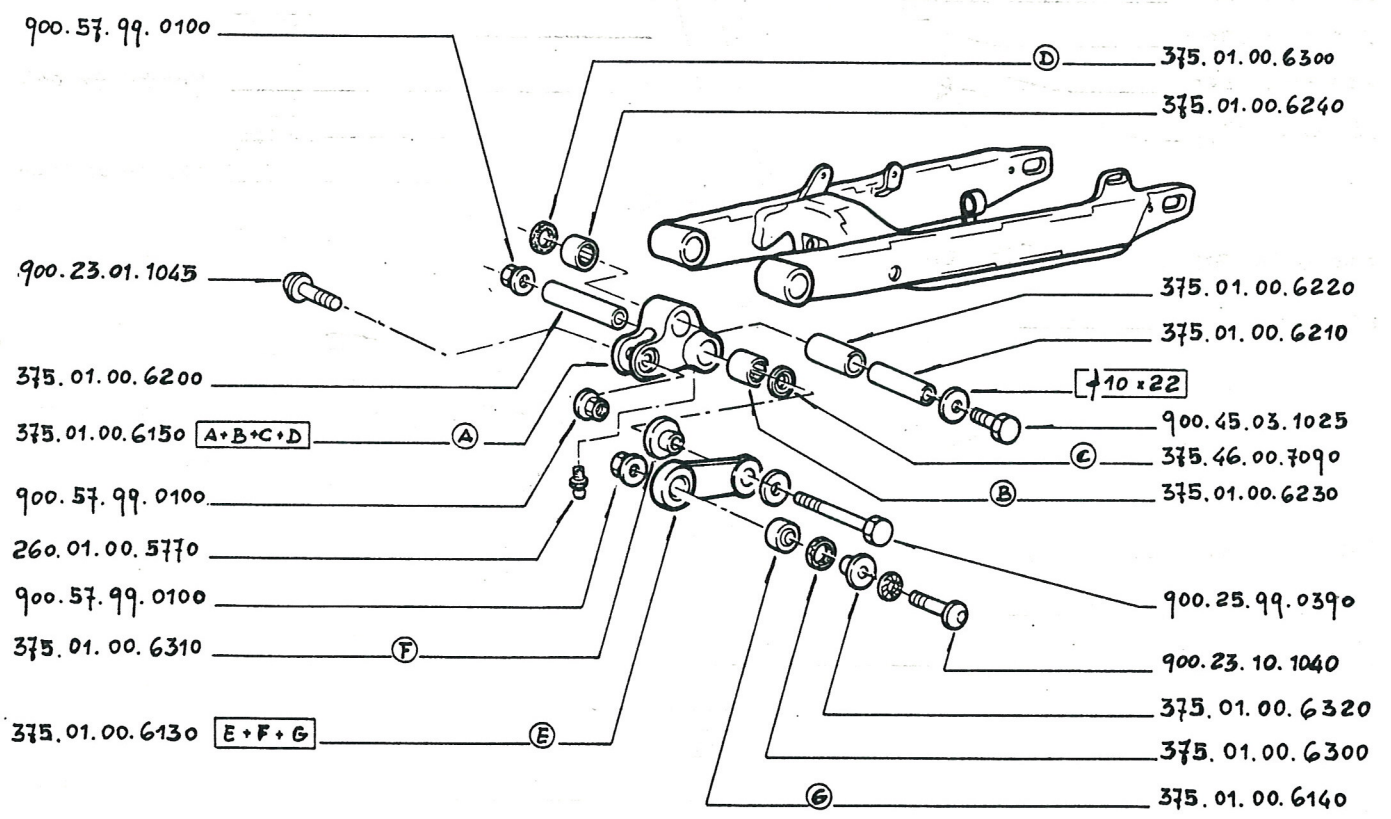
B9

1-1990		

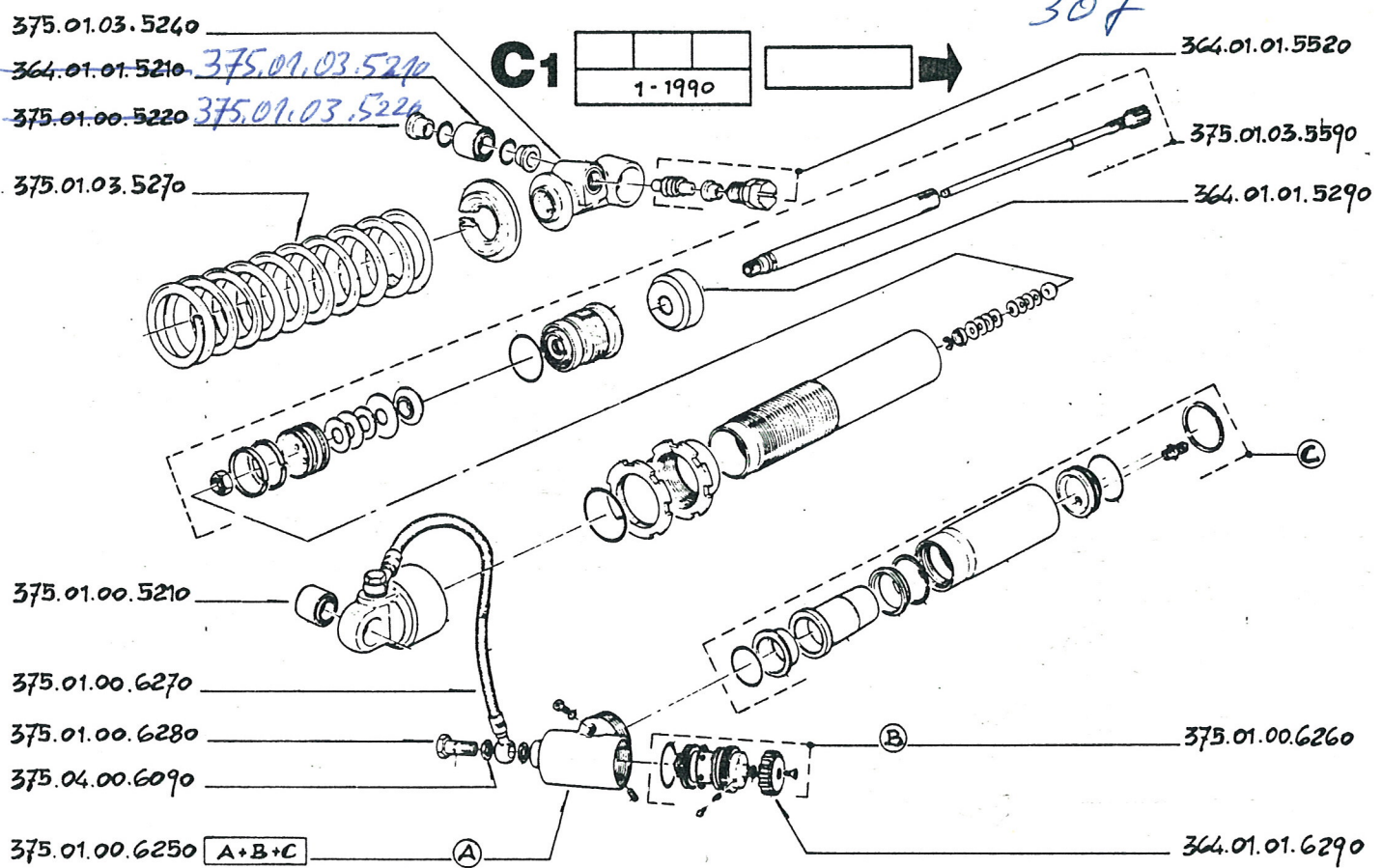


B13

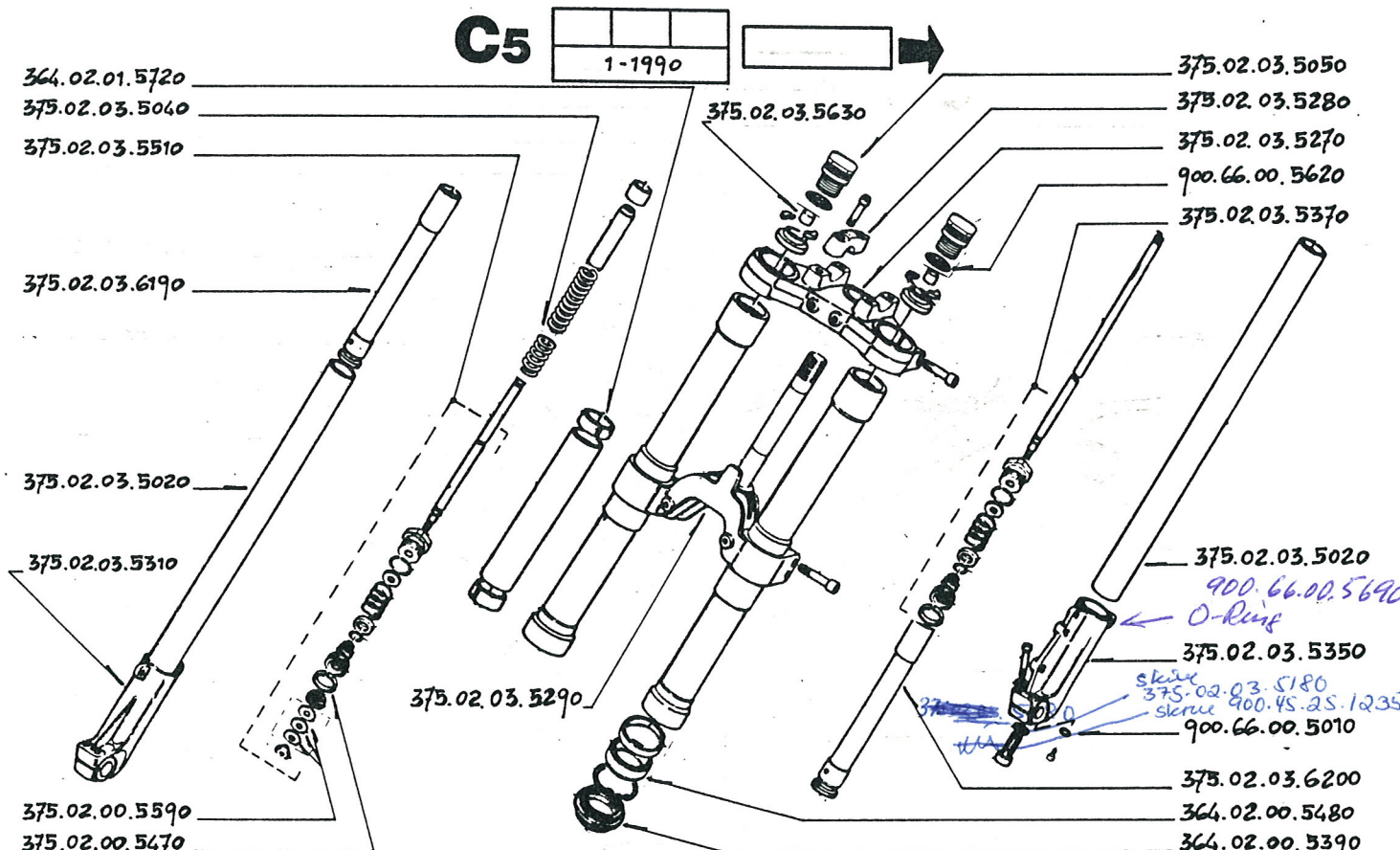
1-1990		



307



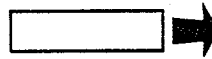
375.01.03.5200 Ammortizzatore cpl. - Amortisseur cpl. - Rear shock absorber cpl. - Hinterer Stossdämpfer Komplett
 375.01.00.5900 Kit Revisione Mono - Ensemble de Revision pour mono - Overhaul Kit for Mono



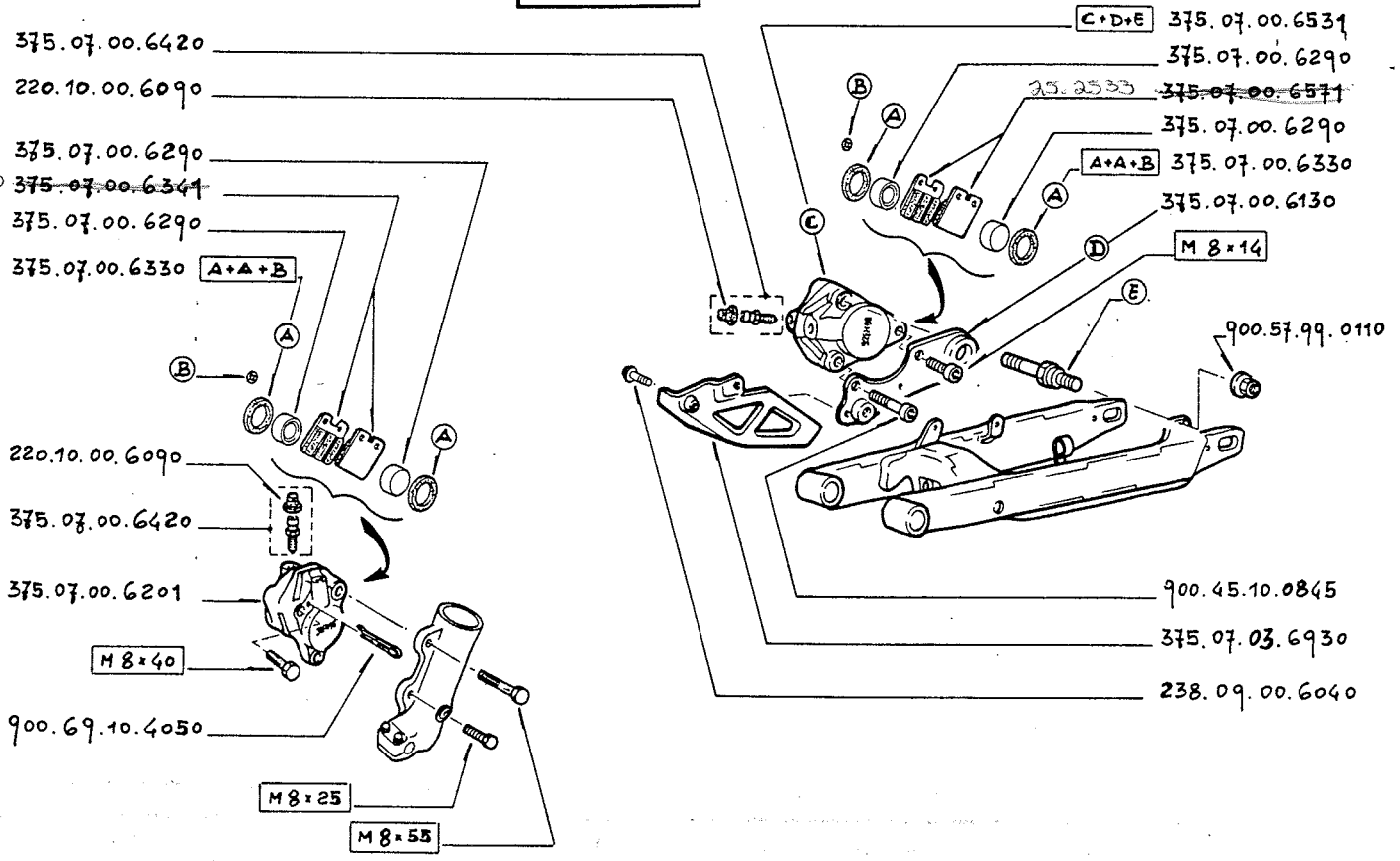
375.02.00.5590 Forcella ant. cpl. Fourche avant complete Fork complet Vordere Radgabel Komplett
 375.02.00.5470 Gamba dx. cpl. Jambe droite complete Leg complete R/H Rechtes Gabelbein Komplett
 375.02.03.5810 Gamba sx. cpl. Jambe gauche complete Leg complete L/H Linkes Gabelbein Komplett
 375.02.03.5800

C9

1-1990

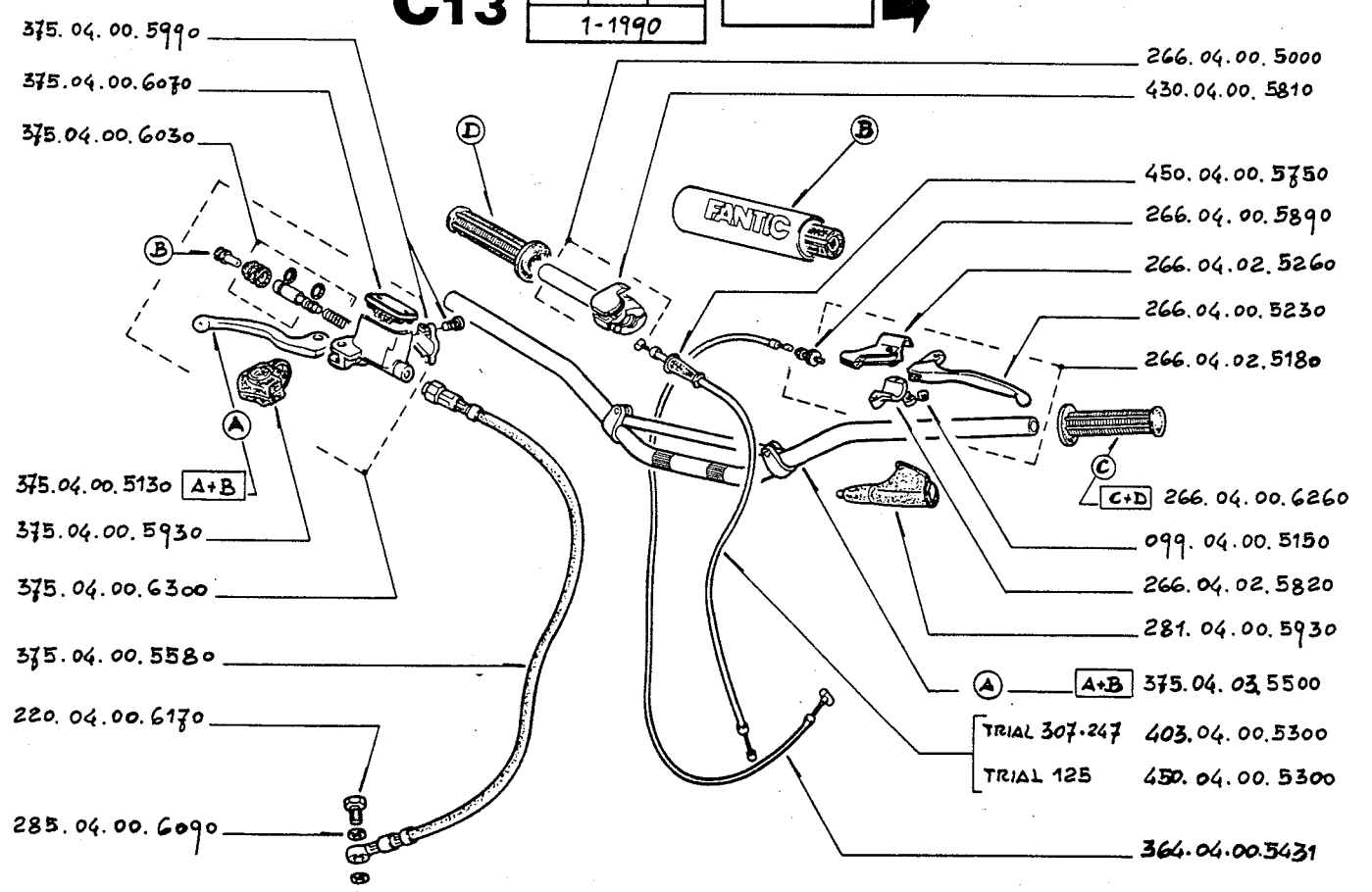
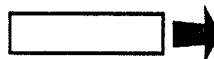


25.2533



C13

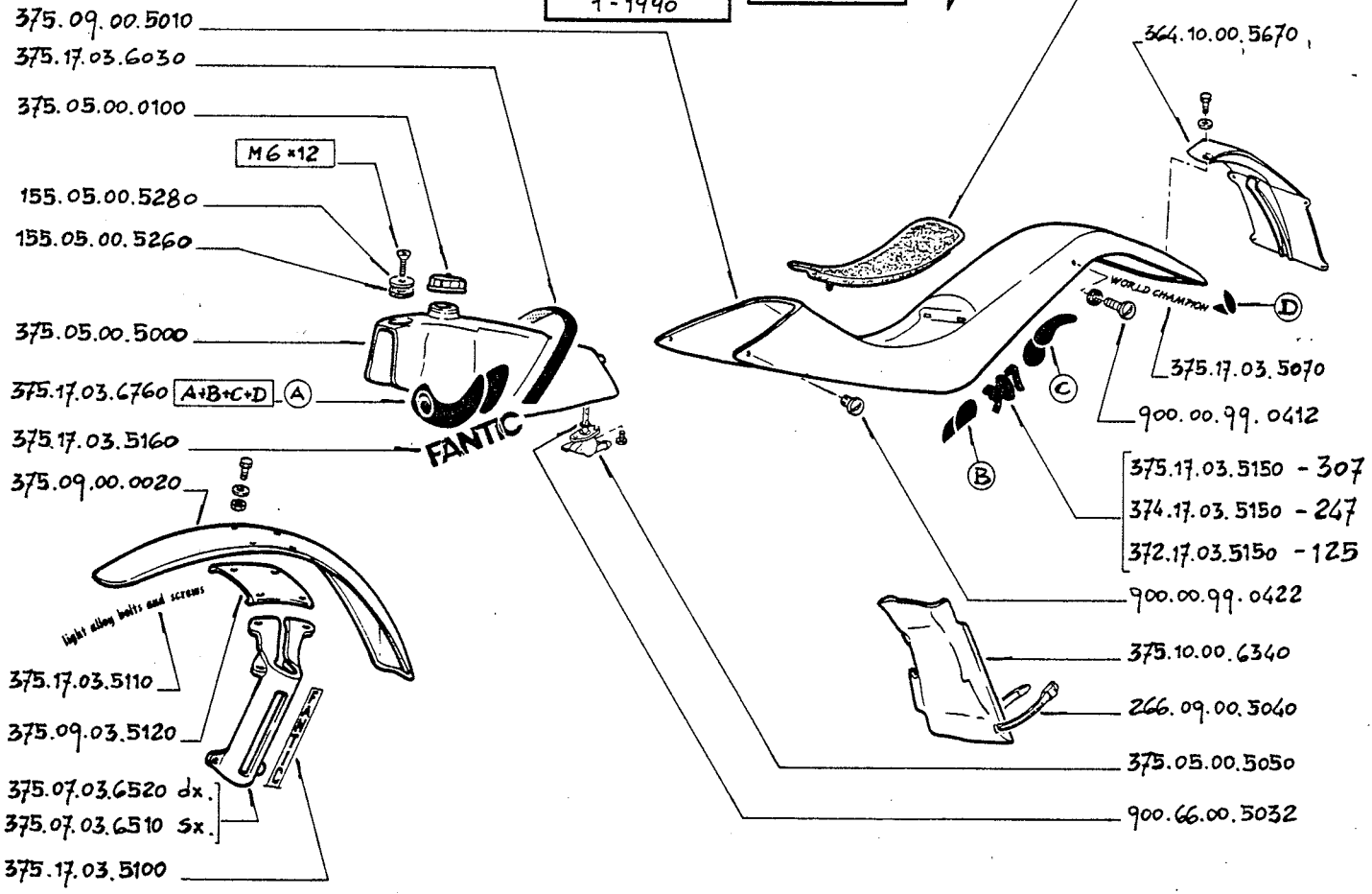
1-1990



307

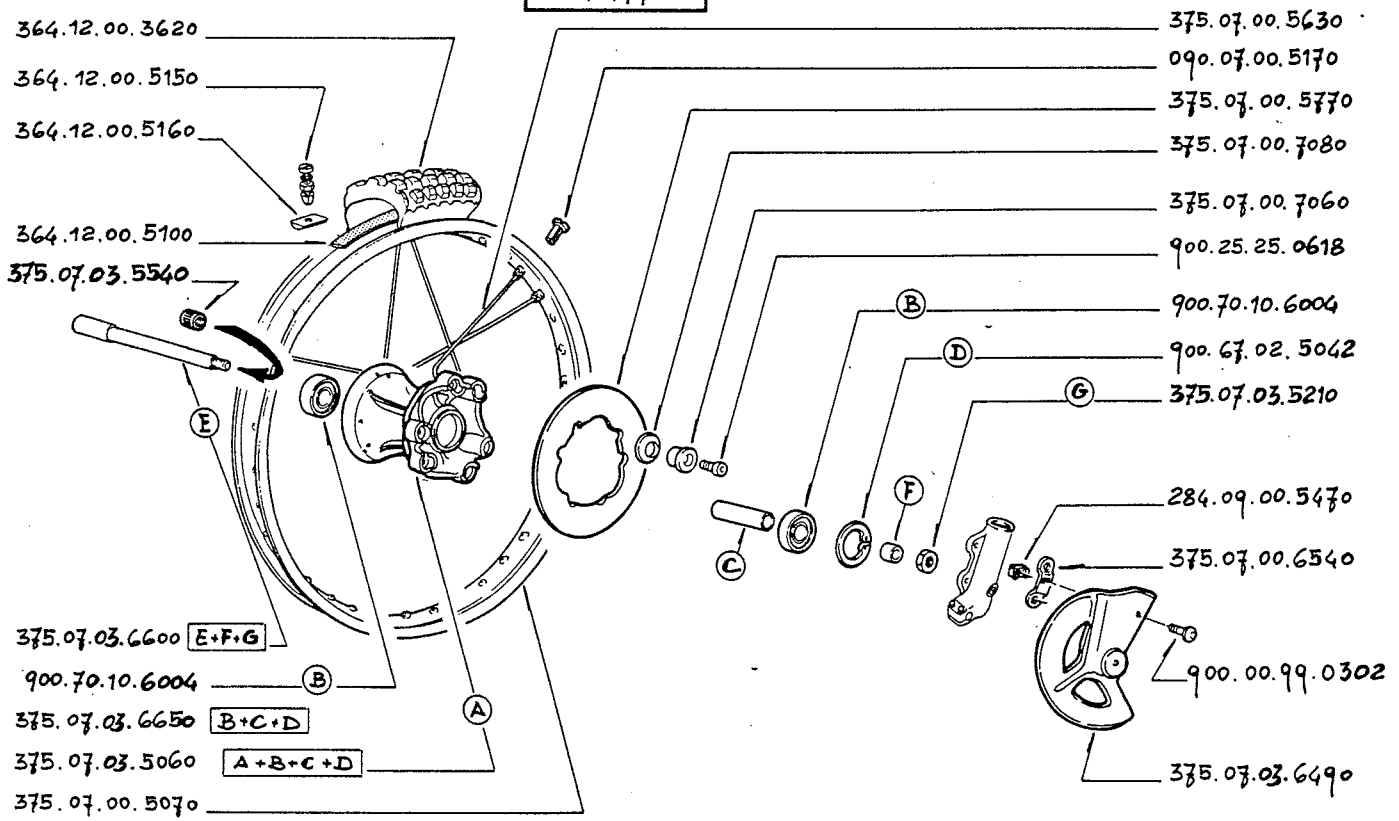
D1

1-1990		



D5

1-1990		



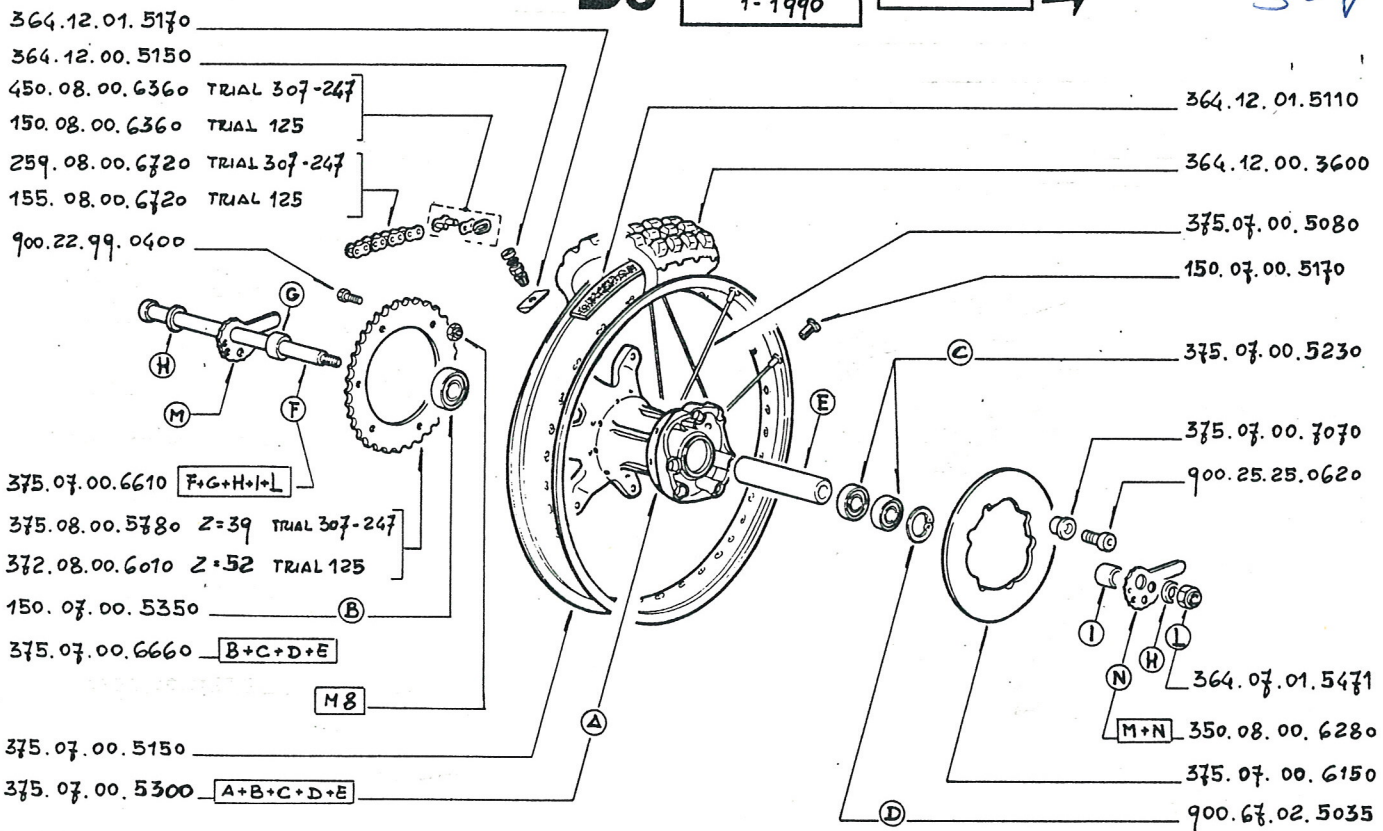
375.07.03.5000 Ruota ant. cpl. Roue avant complete Front wheel complete Vorderrad Komplett

D9

1-1990		



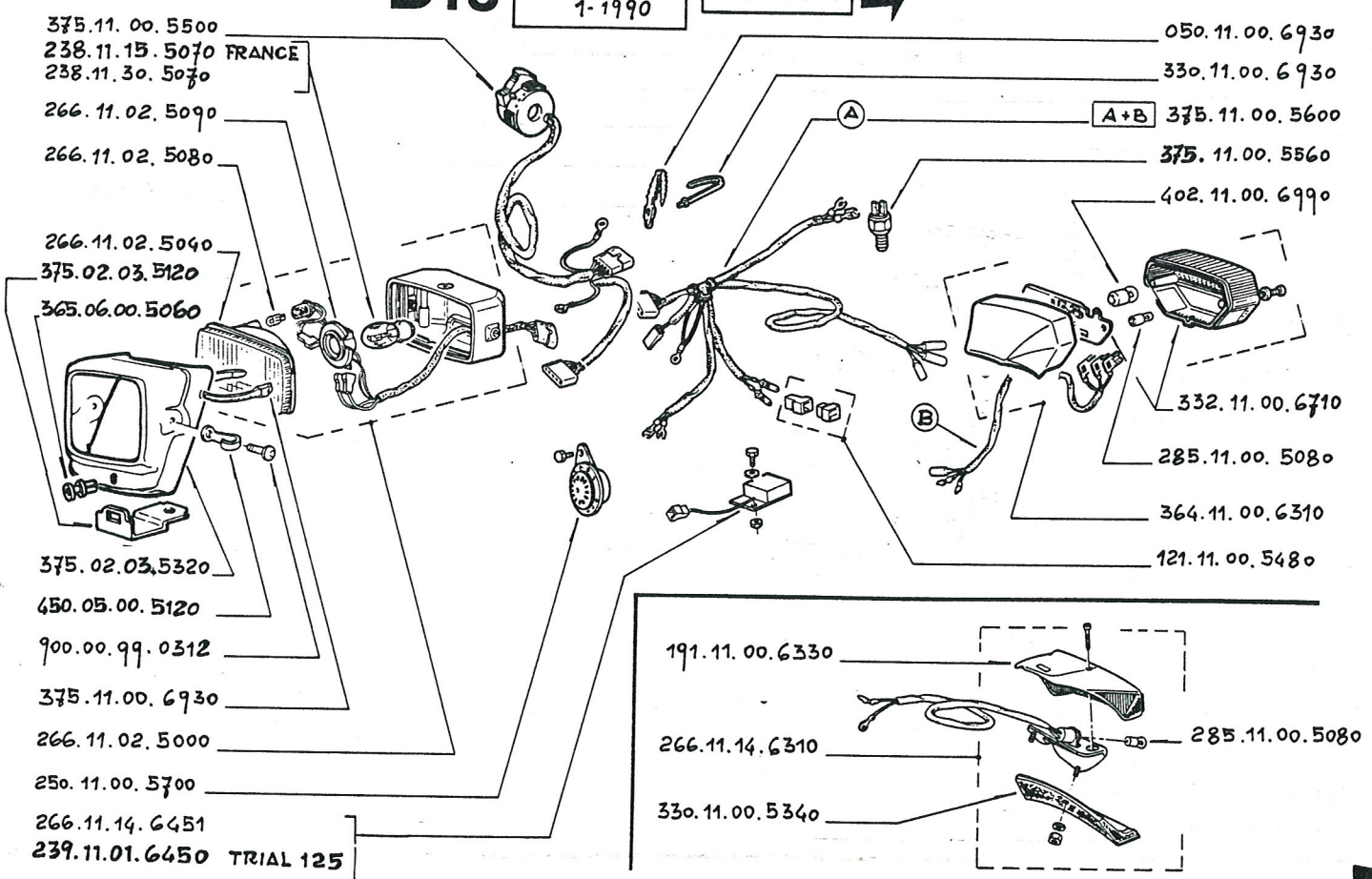
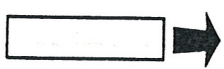
307⁶



375.07.00.5290 } TRIAL 307-247 Ruota post.cpl. Roue arriere complete Rear wheel complete Hinterrad Komplett
 372.07.00.5290 } TRIAL 125

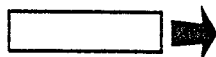
D13

D14		
1-1990		

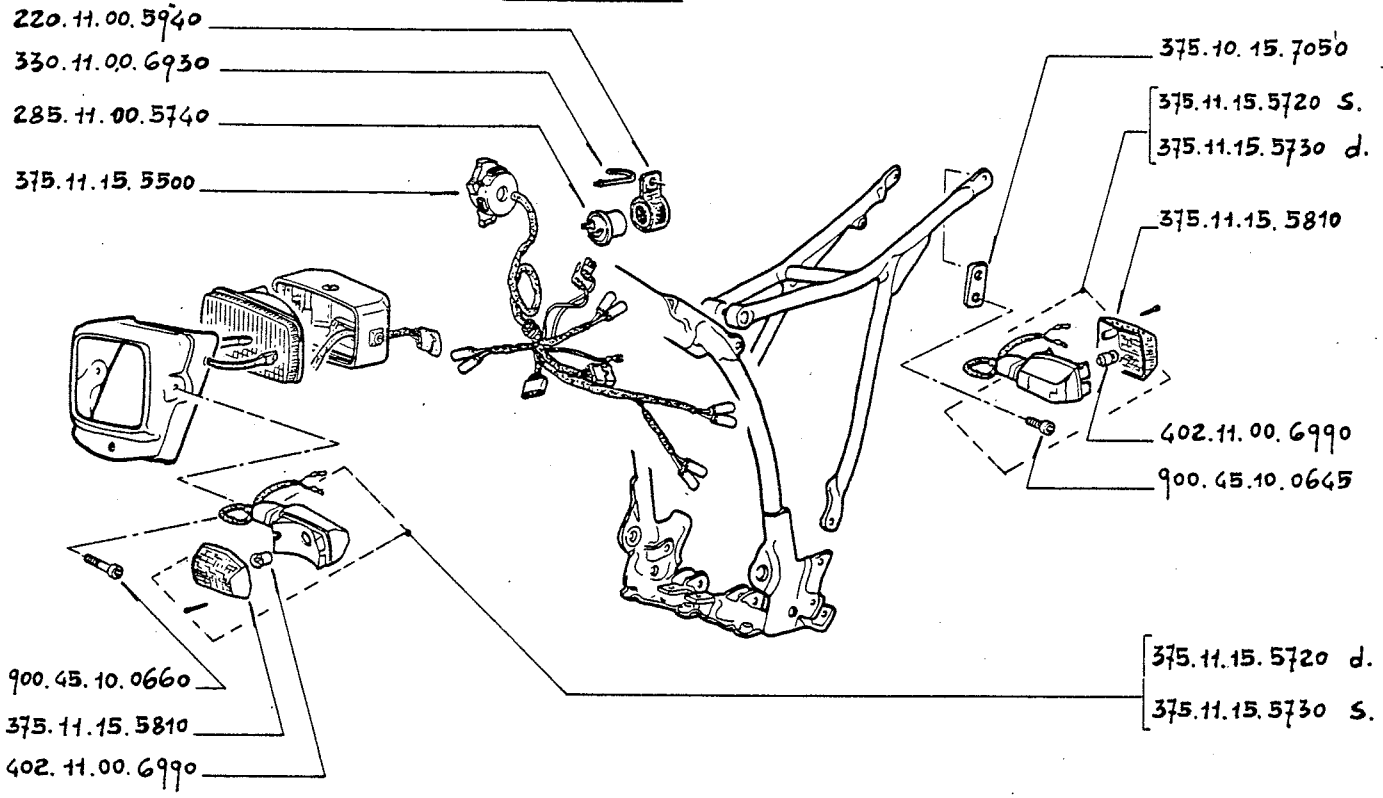


D14

1-1990		

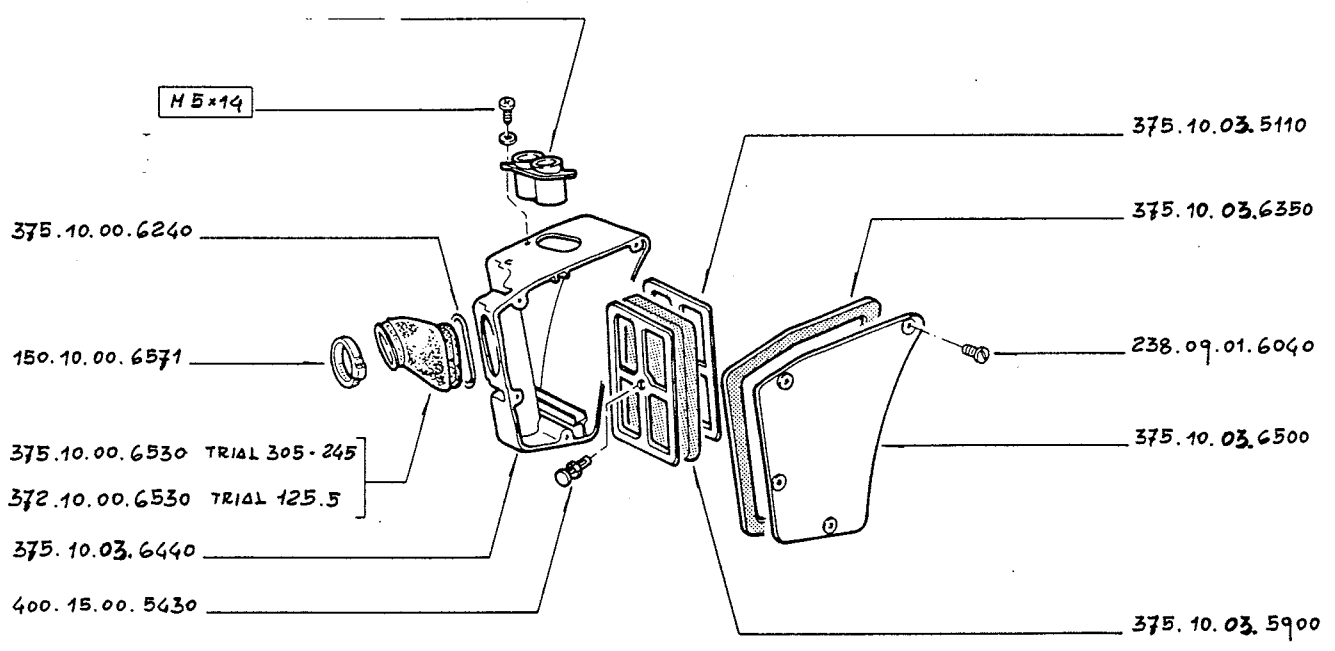
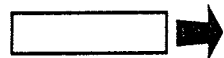


307



E1

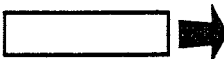
1-1990		



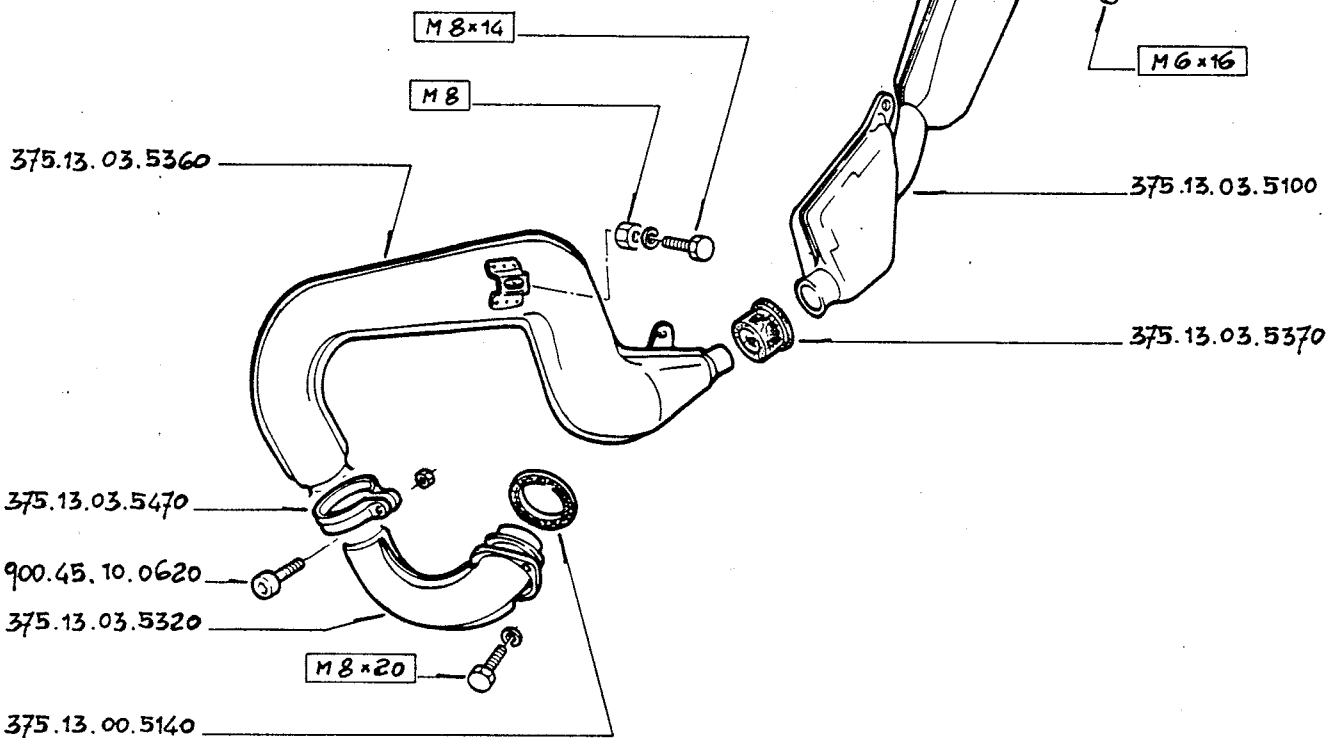
TRIAL 307
TRIAL 247

E5

1-1990		

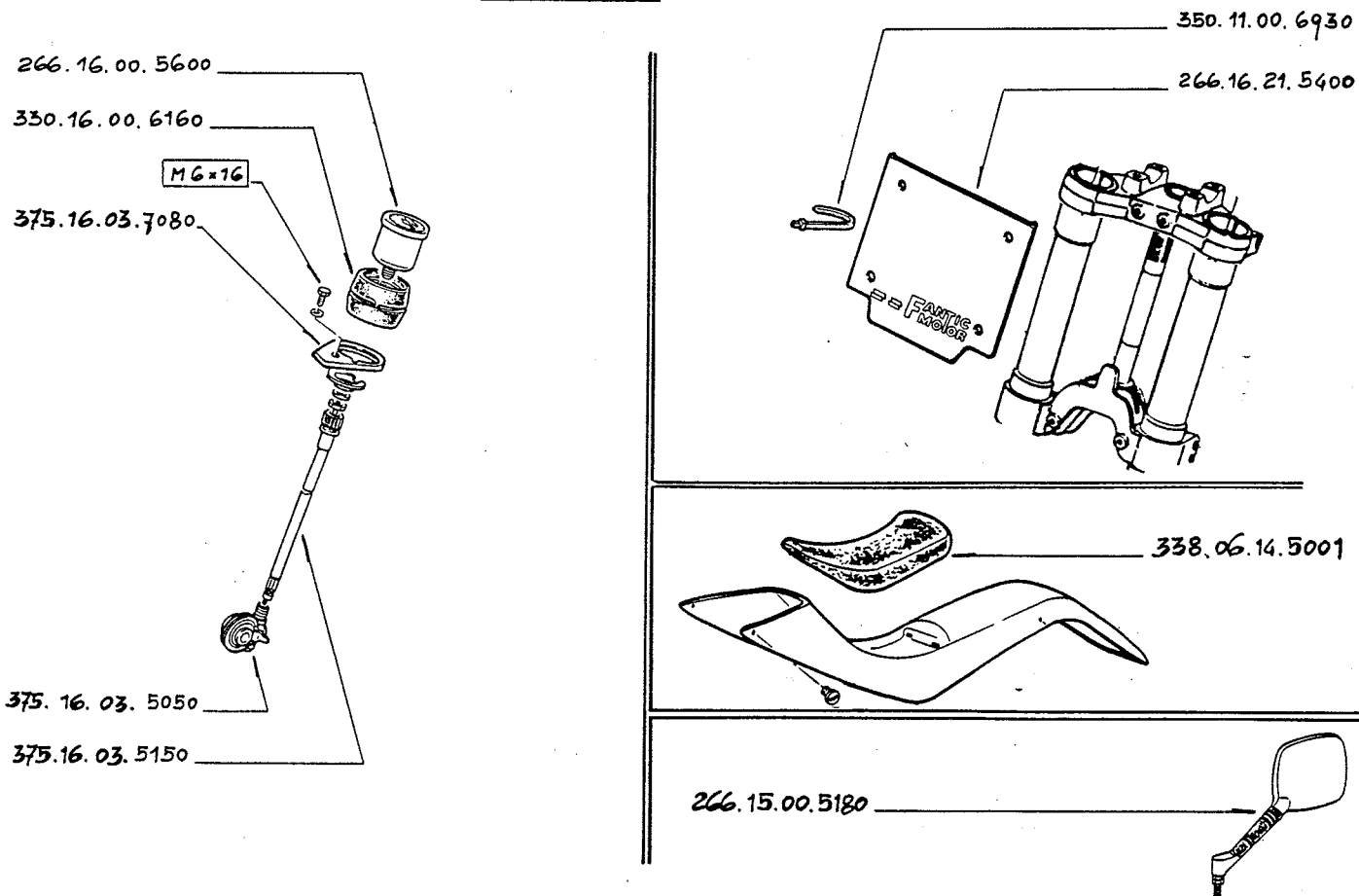
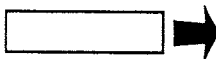


307



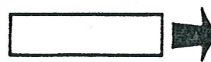
E9

1-1990		



F1

1-1990

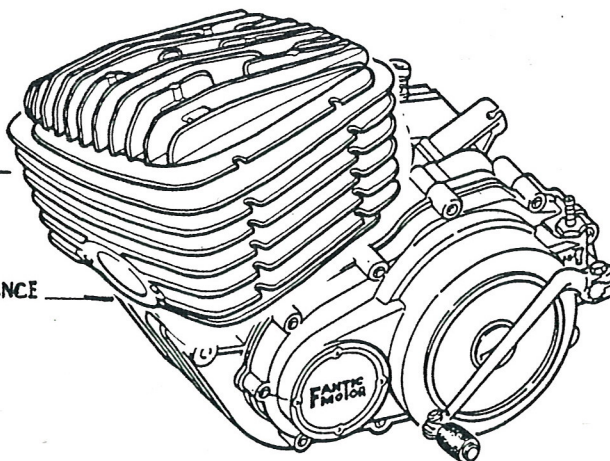


307

9

- 375.40.03.5000 TRIAL 307
- 374.40.17.5000 TRIAL 247
- 372.40.03.5000 TRIAL 125.

375.40.17.5000 TRIAL 307 version FRANCE



F5

1-1990



- 368.41.00.6340
- 900.25.10.0635
- 900.00.99.0341

- 375.41.00.6120
- 900.66.00.5052

900.00.99.0341

- 375.41.00.6150
- 375.41.03.6000
- 900.25.12.0620

- 900.66.00.5052
- 450.45.00.5620

- 900.25.10.0655
- 400.41.00.6051
- 400.41.00.5290

- 450.41.00.6090
- 400.45.00.5521

M 5x12

- 900.25.10.0645
- 900.45.99.0150
- 900.73.38.5000

- 450.44.00.5860
- 900.66.00.5034
- 400.44.00.5910

298.41.00.5300

259.41.00.5090

∅ 8x14

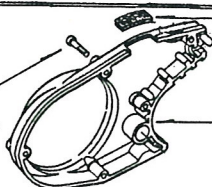
900.25.10.0840

400.41.00.6360

400.41.01.6400

TRIAL 125

900.25.10.0635



400.41.01.6140

372.41.00.6000

A+B+C+D+E

- 374.41.03.5000 TRIAL 247
- 375.41.03.5000 TRIAL 307
- 372.41.03.5000 TRIAL 125

F9

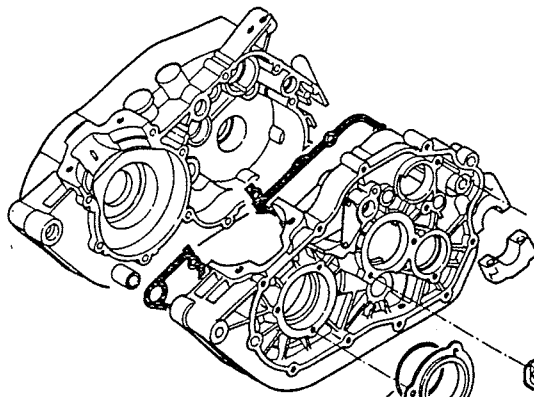
1-1990



307

375.02.00.6150

220.02.00.6140



- 900.66.00.0040
- 400.41.01.5450
- 900.25.10.0616
- 900.25.73.0825
- 900.25.72.0618
- 400.41.00.5280
- 400.41.00.6200

- 400.41.00.5691
- 900.22.71.0616
- 400.43.00.6090
- 900.22.71.0616
- 400.41.00.6360
- 400.41.00.6350

MAGNESIUM — 375.17.03.6620

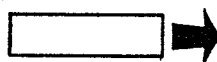
- 900.25.10.0645
- 375.41.03.6100
- 400.41.00.6240
- 400.41.00.6230
- 900.25.10.0630
- 900.25.10.0640

56

- 375.41.00.6250 TRIAL 307
- 374.41.00.6250 TRIAL 247
- 372.41.00.6250 TRIAL 125.

F13

1-1990



155.42.00.5600 TRIAL 125.

450.42.00.5600 TRIAL 247 $\pm 18 \times 22 \times 28$

375.42.00.5600 TRIAL 307 $\pm 18 \times 22 \times 25$

375.41.00.5500

450.42.00.5300 TRIAL 247

403.42.00.5300 TRIAL 307

400.42.00.5300 TRIAL 125

450.45.00.5501 TRIAL 307 - 247

400.45.00.5500 TRIAL 125

265.41.00.5410

155.45.00.5510 TRIAL 125

450.45.00.5510 TRIAL 307 - 247

289.42.00.5000 TRIAL 247

403.42.00.5000 TRIAL 307

400.42.01.5000 TRIAL 125

250.44.00.5150

400.41.01.5400

900.66.00.5140

400.42.01.5121

400.41.00.5510

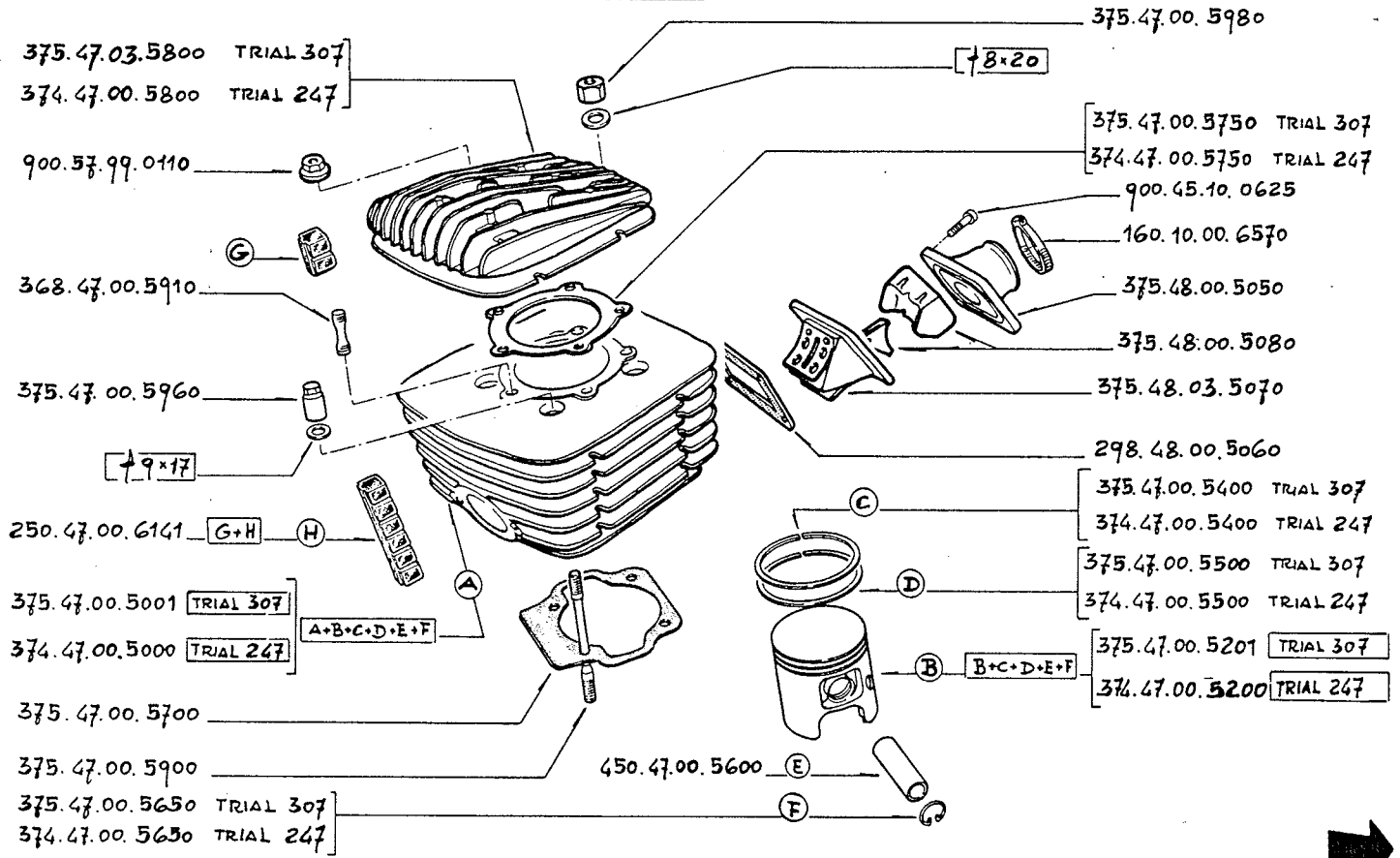
237.42.00.5191

SP 375.41.00.6260

TRIAL 307 (250)
TRIAL 247 (210)

G1

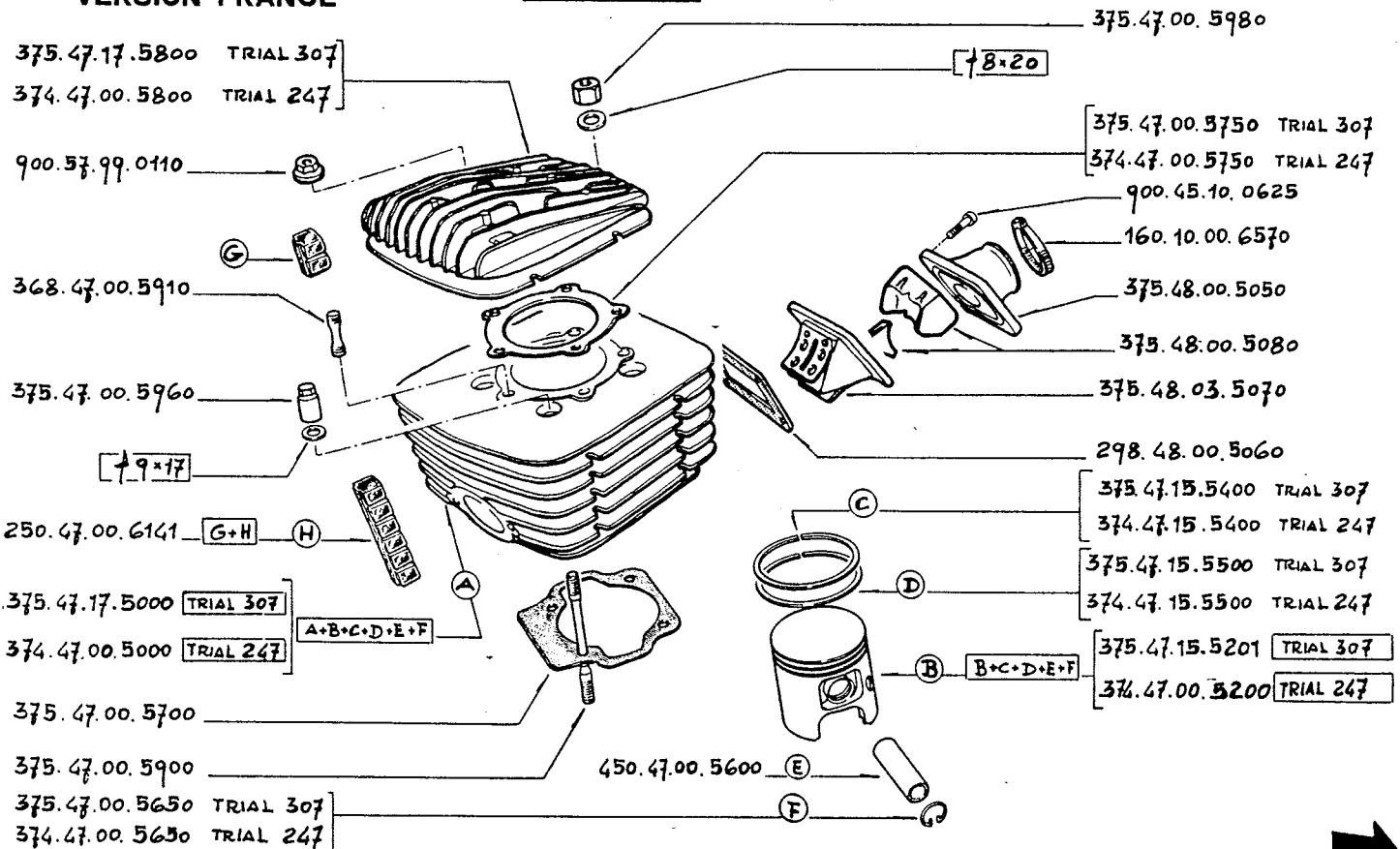
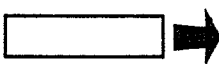
G2	G3	
1-1990		



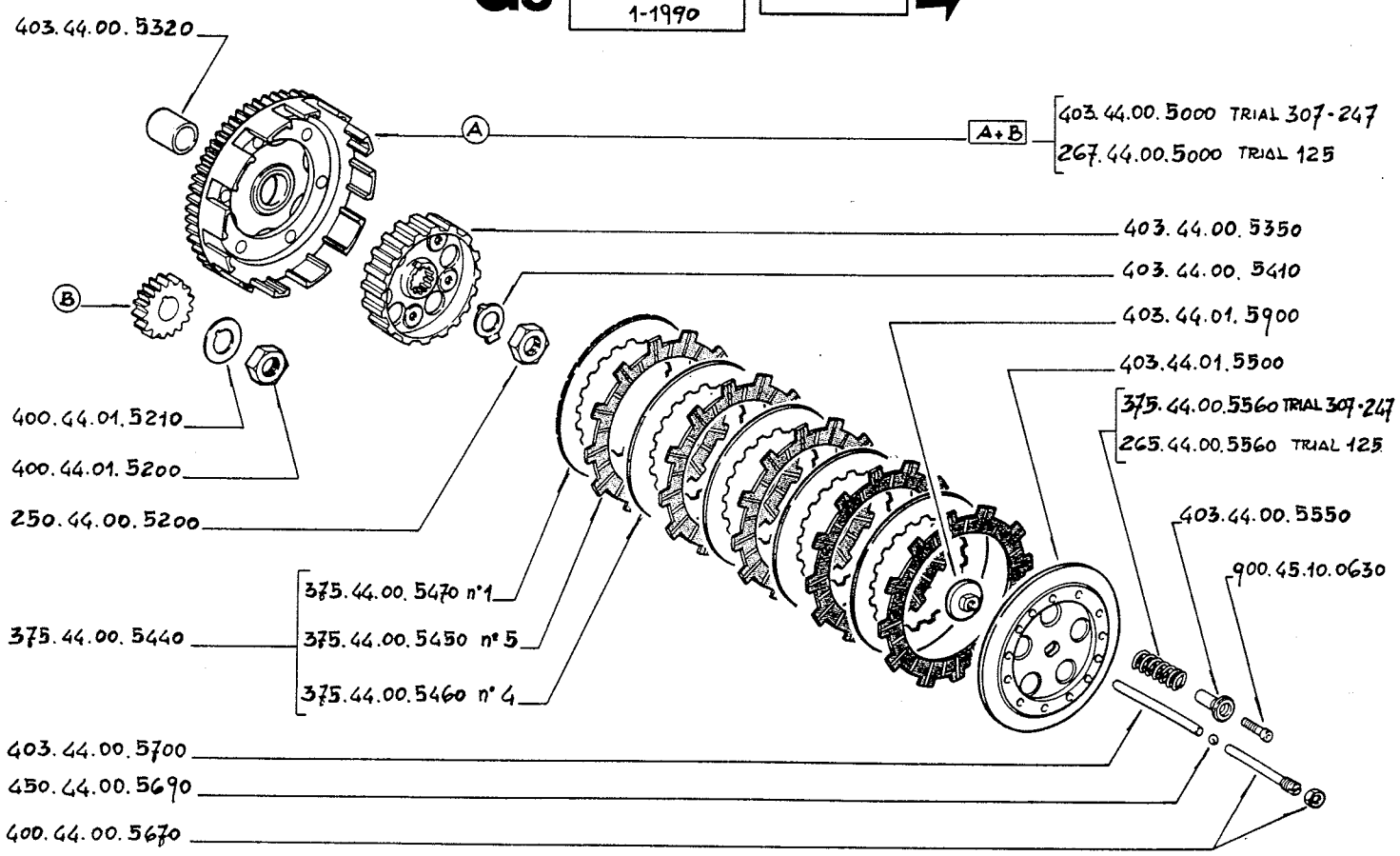
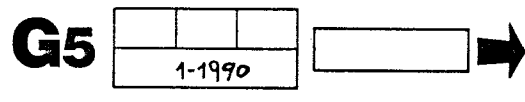
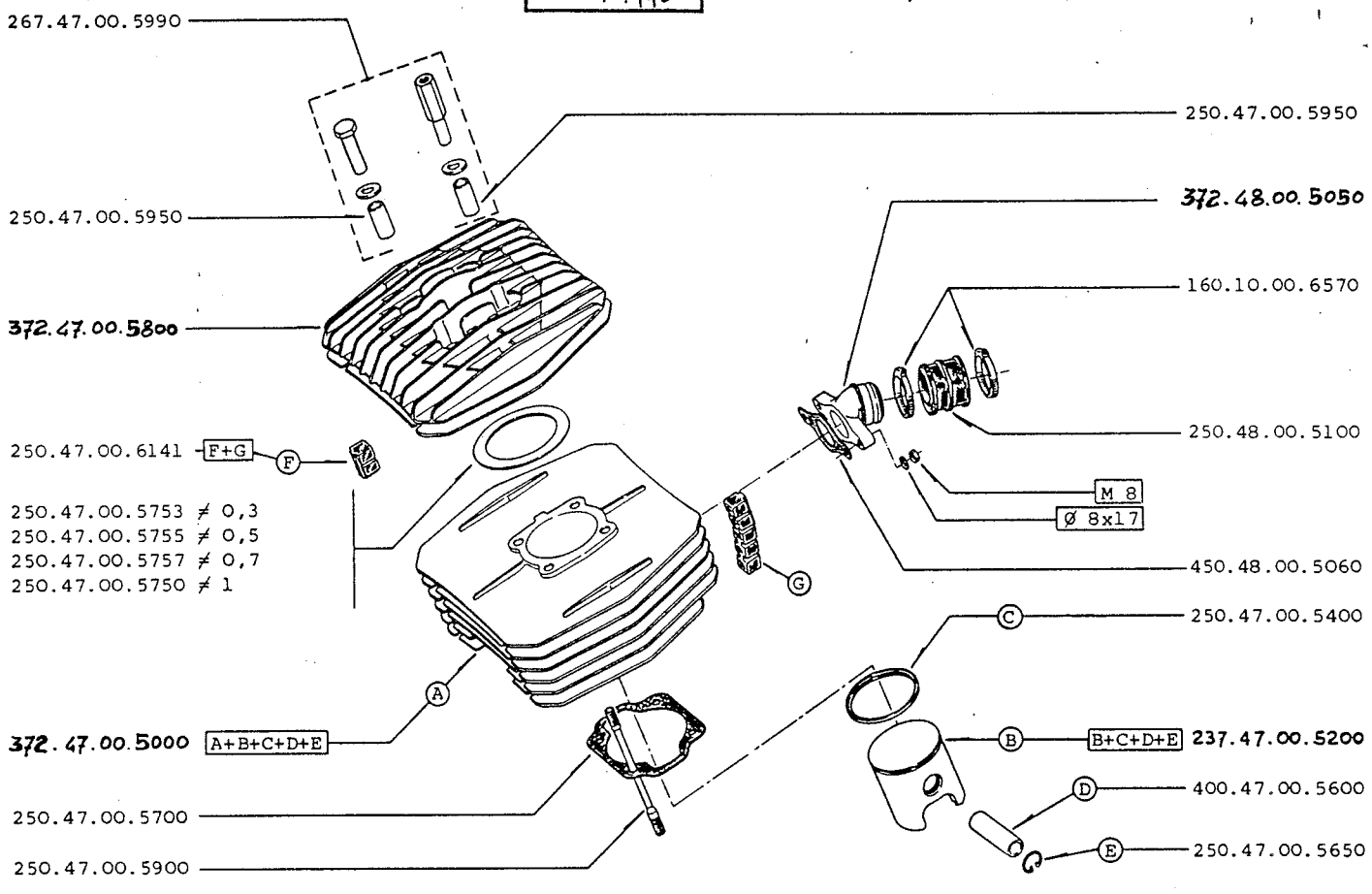
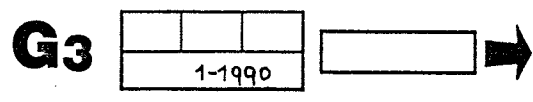
TRIAL 307 (250)
TRIAL 247 (210)
VERSION FRANCE

G2

G3		
1-1990		



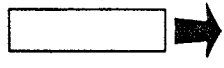
TRIAL 125 *17*



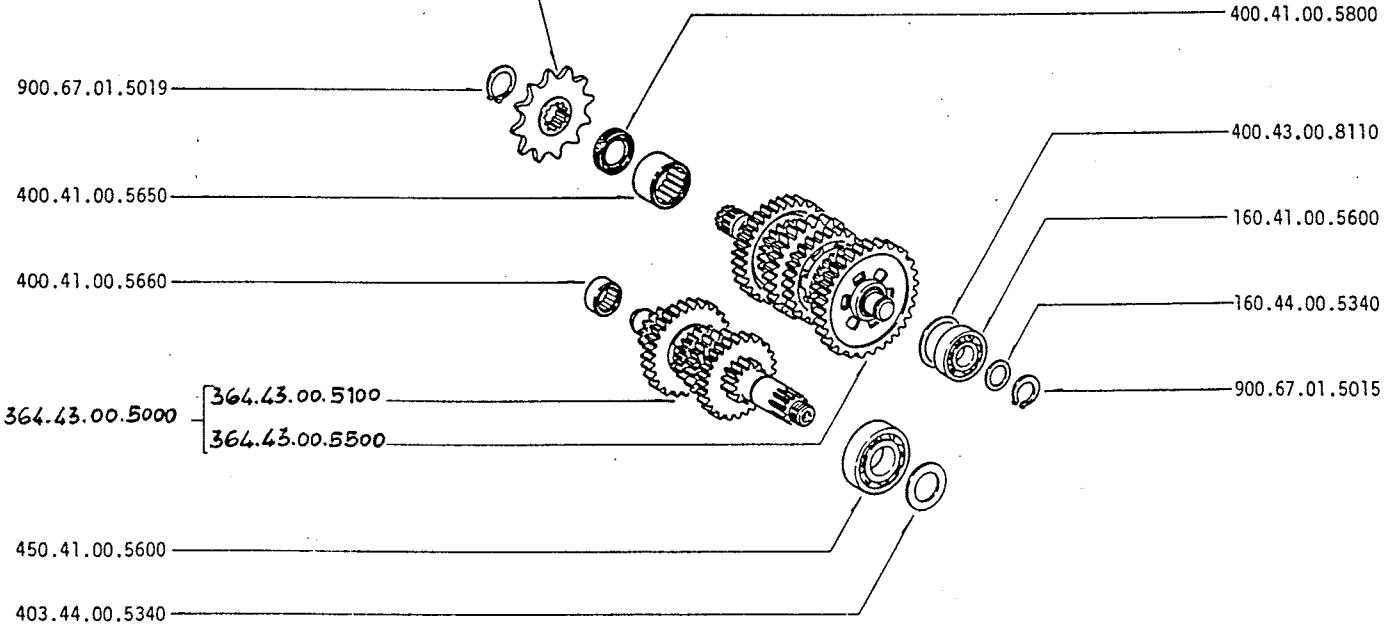
307

G9

1-1990		

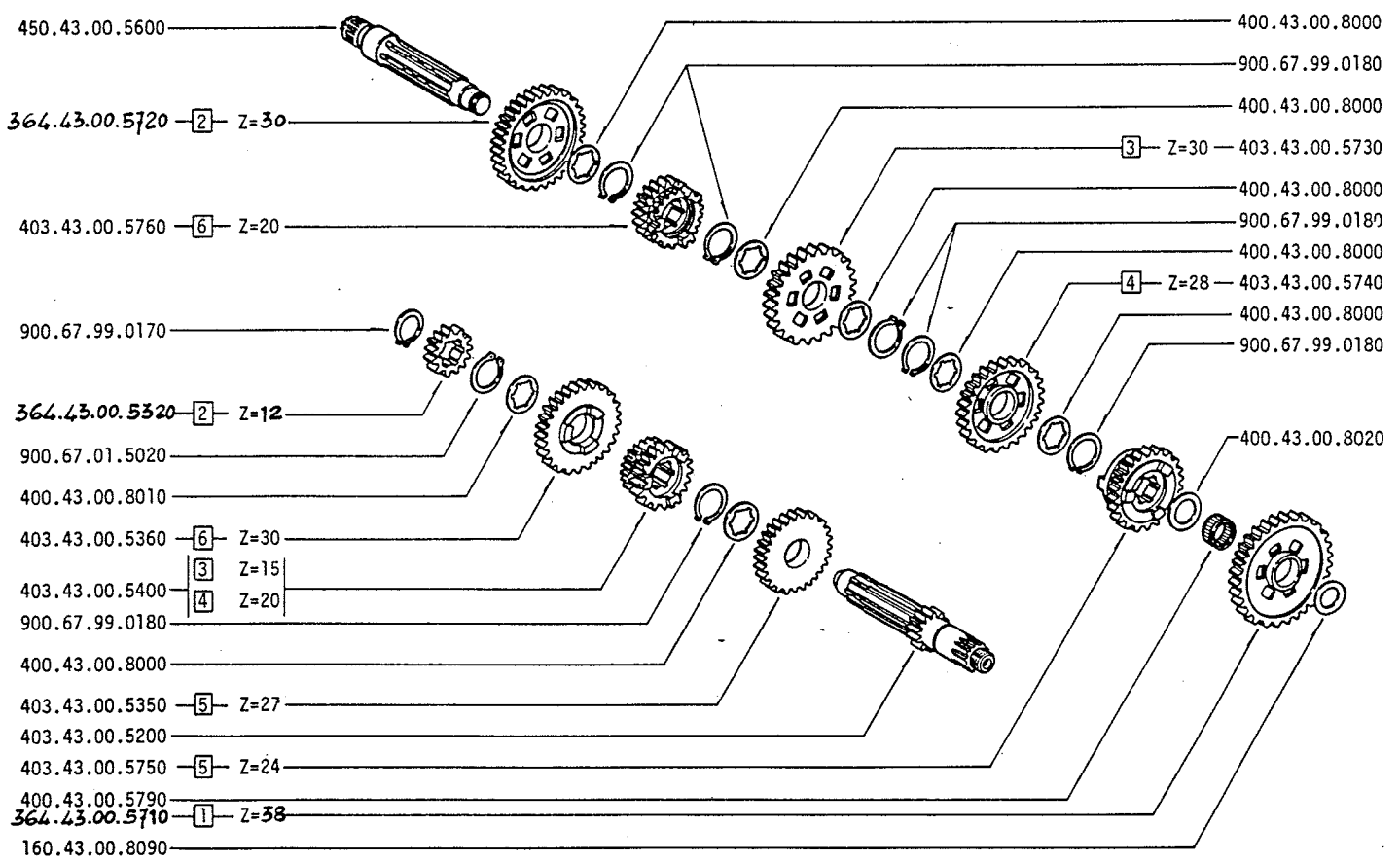
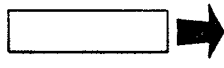


400.43.00.7110 Z=11
 400.43.00.7120 Z=12
 400.43.00.7130 Z=13



G13

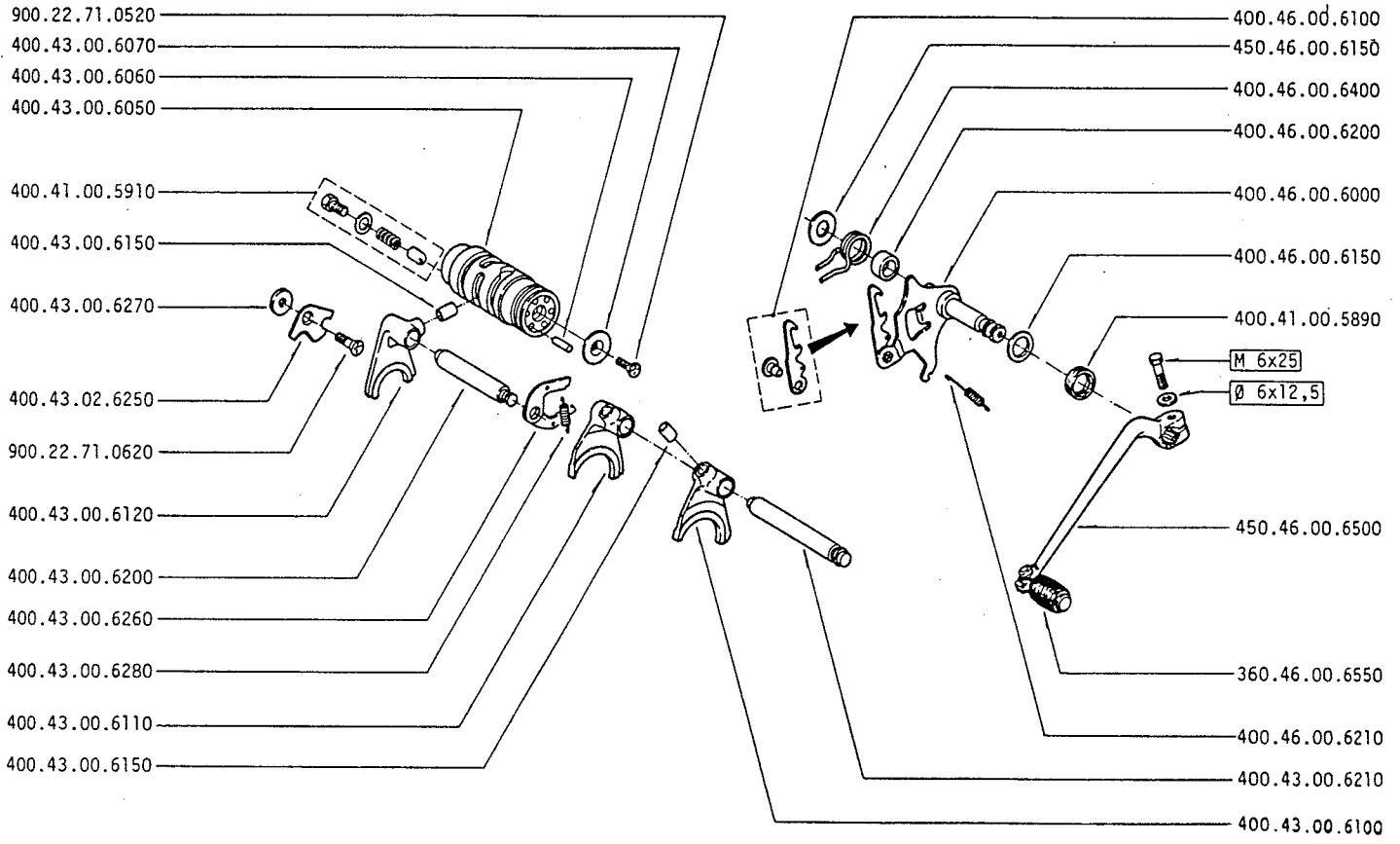
1-1990		



307 14

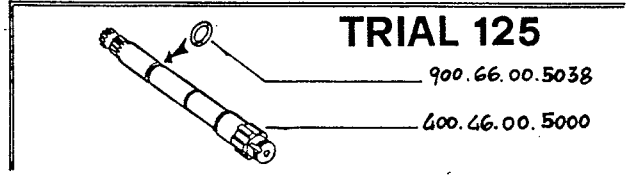
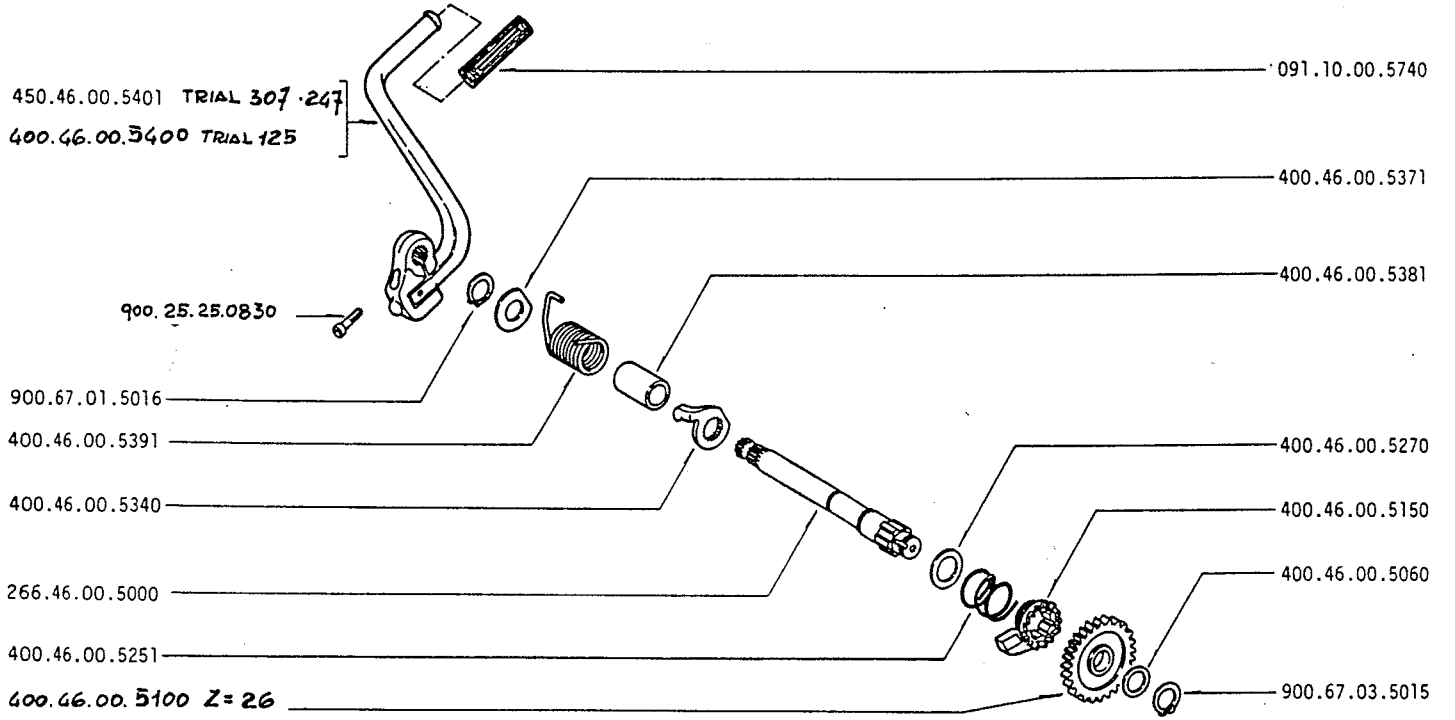
H1

1-1990



H5

1-1990

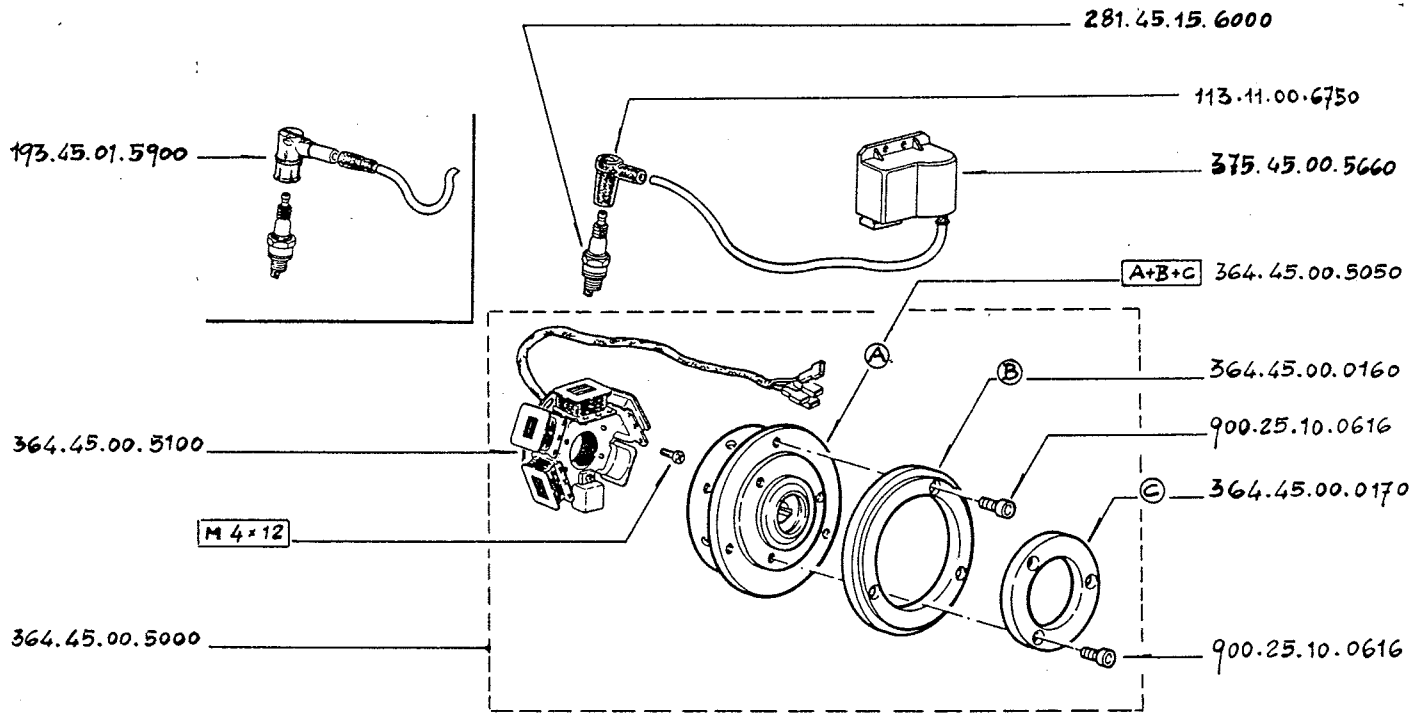
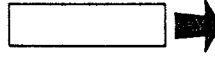


TRIAL 307
TRIAL 247

307

H9

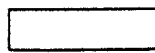
H10		
1-1990		



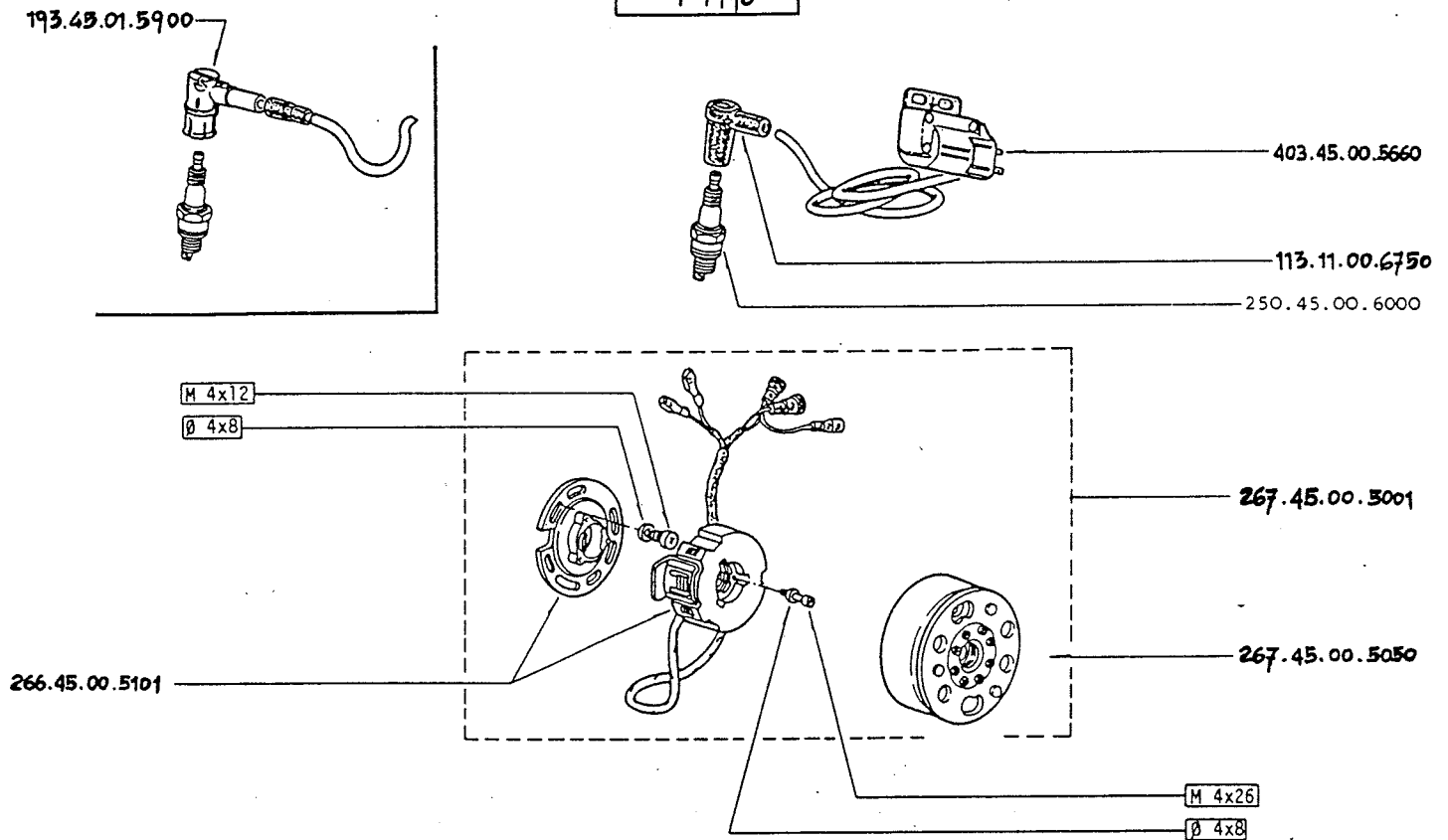
TRIAL 125

H10

1-1990		



MOTOPLAT



307 16

TRIAL 307
TRIAL 247

PHBH 26 CS

H13

H14
1-1990

900.79.37.4060
900.79.37.4050

TRIAL 307
TRIAL 247

260.48.00.7440

260.48.00.7560

375.48.00.7660

900.77.74.6070

375.48.03.7850

375.48.00.9300 N.38

375.48.00.9310 N.40

900.79.01.0065

TRIAL 307 375.48.03.7150

TRIAL 247 900.79.47.7061

070.04.00.6180

260.48.00.8400

900.79.42.5000

900.74.56.8000

900.76.27.3000

900.76.10.9000

375.48.01.7750

SG 403.48.00.5040

375.48.03.5000 TRIAL 307
375.48.17.5000 TRIAL 307 FRANCE
374.48.03.5000 TRIAL 247

Carburatore completo - Carburateur cpl.
Carburettor complet - Vergaser Komplett

N. 135 900.76.41.3135
N. 152 900.76.41.3152

